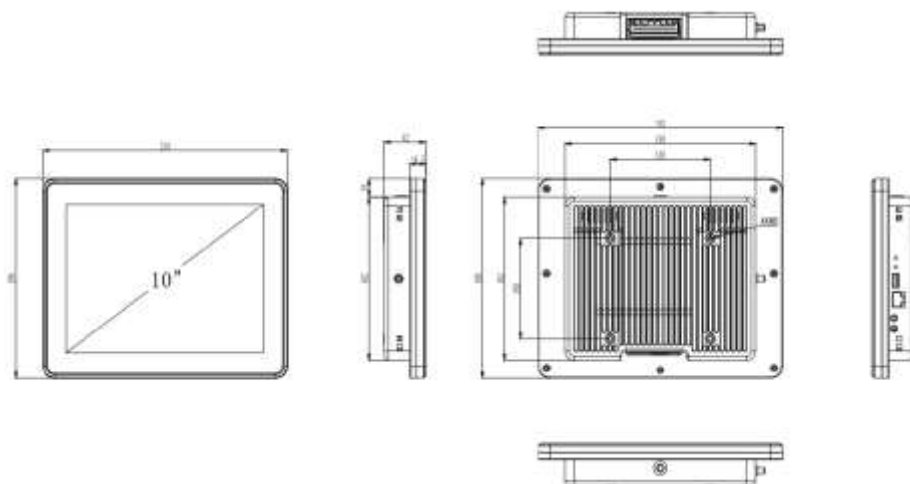


PPC-GS1051T-JK4

Pictures:



Dimension:



Features:

1. 10" Resistive touch screen
2. Chipset: Intel® Celeron® J1900 processor
3. RAM: 2GB DDR3, up to 8GB
4. Provide 4*USB+5*COM port
5. Support 2*1000M LAN port

Specification:

Display	Screen	9.7" TFT LCD
	Resolution	1024*768
	Brightness	350 cd/m2
	Contrast ratio	500:1
	Touchscreen	5-wire Resistive touch screen
Performance	Chipset	Intel® Celeron® J1900 Processor
	Memory	Standard 2GB DDR3, up to 8GB
	Hardware Monitor	Monitors voltage,CPU, TEMP
	Watchdog Timer	0-255 sec by software
	Storage	SSD :Standard 32GB, up to 512GB
Power	Power Supply	9-28V DC
O/S	O/S	Windows 7、 Windows 10、 Linux
I/O Port	USB	3*USB 2.0(from extended cable),1*USB3.0(on product panel)
	COM	3*RS232+2*RS485(from extended cable)
	Ethernet	2*1000M LAN(one from extended cable, one on rear panel)
	Audio	1*Line-out+1*Mic-in,2*Built-in speaker
Environmental	Anti-vibration	5-19Hz/1.0mm amplitude;19-200Hz/1.0g, acceleration
	Anti-shock	10g acceleration, 11ms duration
	IP Level	Front panel IP65
	Reliability	MTBF≥5000h; MTTR≤0.5h
	Operating Temperature	-20°C--60°C with air flow
	Storage Temperature	-30°C --70°C
	Operating Humidity	95% @40°C, non-condensing
Mechanical	Dimensions	243mm(L)*198mm(W)*42mm(H)
	Mounting size:	VESA mounting: 100*100mm; Embedded mounting: 193*165mm
	Material	Fanless High-strength and elegant Al-alloy panel+PPS
	Weight	1.67kg(NET)
	Color	Black front panel & silver housing