

Laptop Trolley Instruction



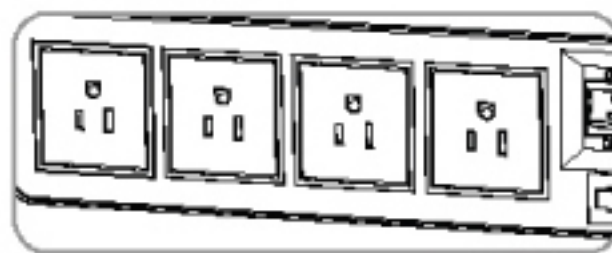
Setting instruction ●

Feature:

1. Can hold up to a size 18.5" notebook.
2. All charging slots are removable.
3. cooling vent on both front and rear doors.
4. 5" Casters with brake locks (2 rigid / 2 swiveling).
5. 3-point turn steel latch locking system.
6. Durable and sophisticated plastic design.
7. Uses 18 gauge steel for main structure, with a powder coated finish. Comes fully assembled from the factory. Fully recyclable at the end of product life cycle.
8. Surge protected power strip and sequenced charge time control. All electrics are UL listed.
9. Uses original notebook adaptors.
10. All hold up trays and drawers are interchangeable.
11. Wire management for quick and easy storage of cable when not in use.
12. Powers all your peripherals from one standard wall outlet.
13. Optional AP holder.
14. 4 extra power outlets for external use.



3-point turn steel latch locking system.



4 extra power outlets for external use.



Wire management for quick and easy storage of cable when not in use.



5" Casters with brake locks (2 rigid / 2 swiveling).



Can hold up to a size 18.5" notebook



Surge protected power strip and sequenced charge time control. All electrics are UL listed.

● Setting instruction

Stage 1

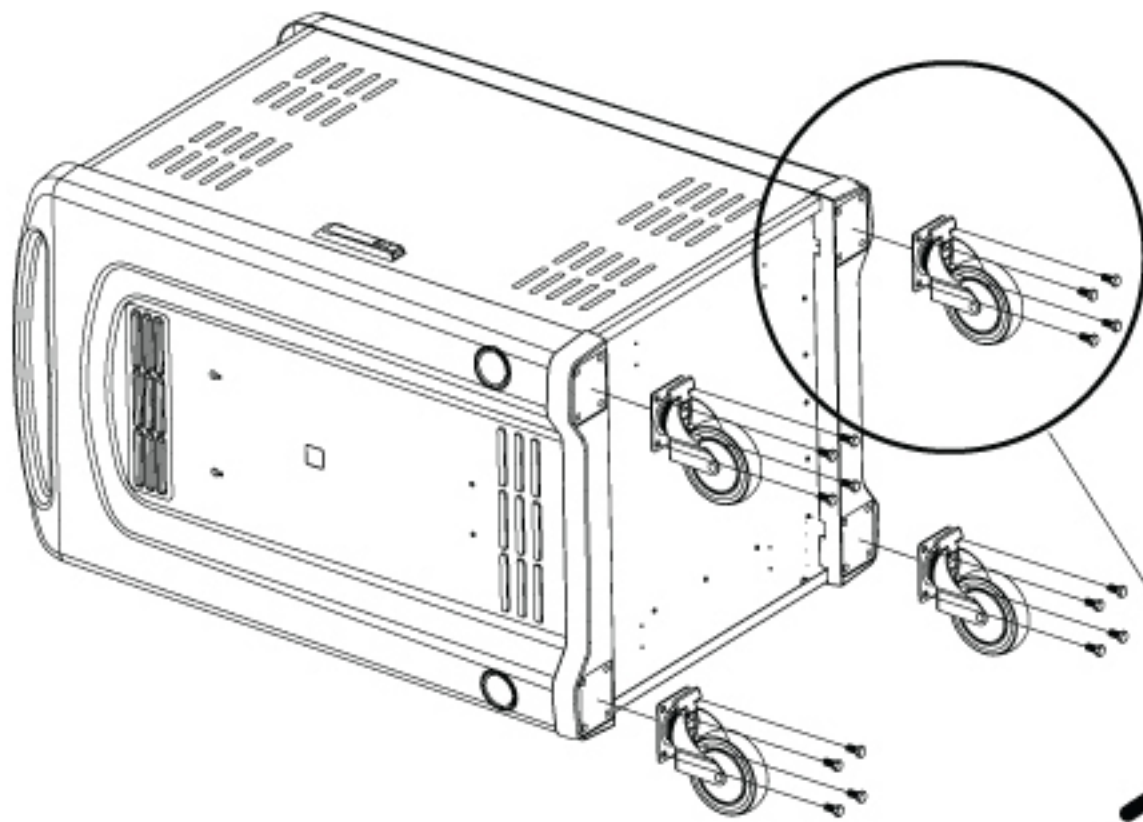
CHEN-SOURCE INC.
CHEN-200BCE INC.

- ▶ In a clear floor area lay the cart onto it's back.

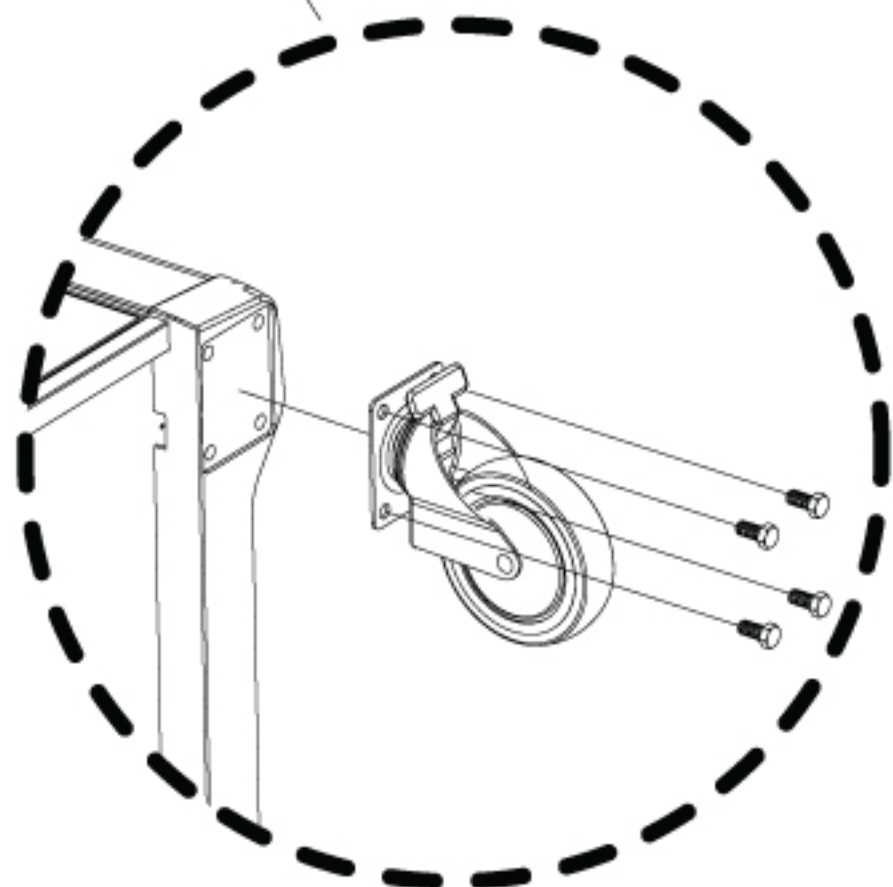


Notice

This application needed
require two people!

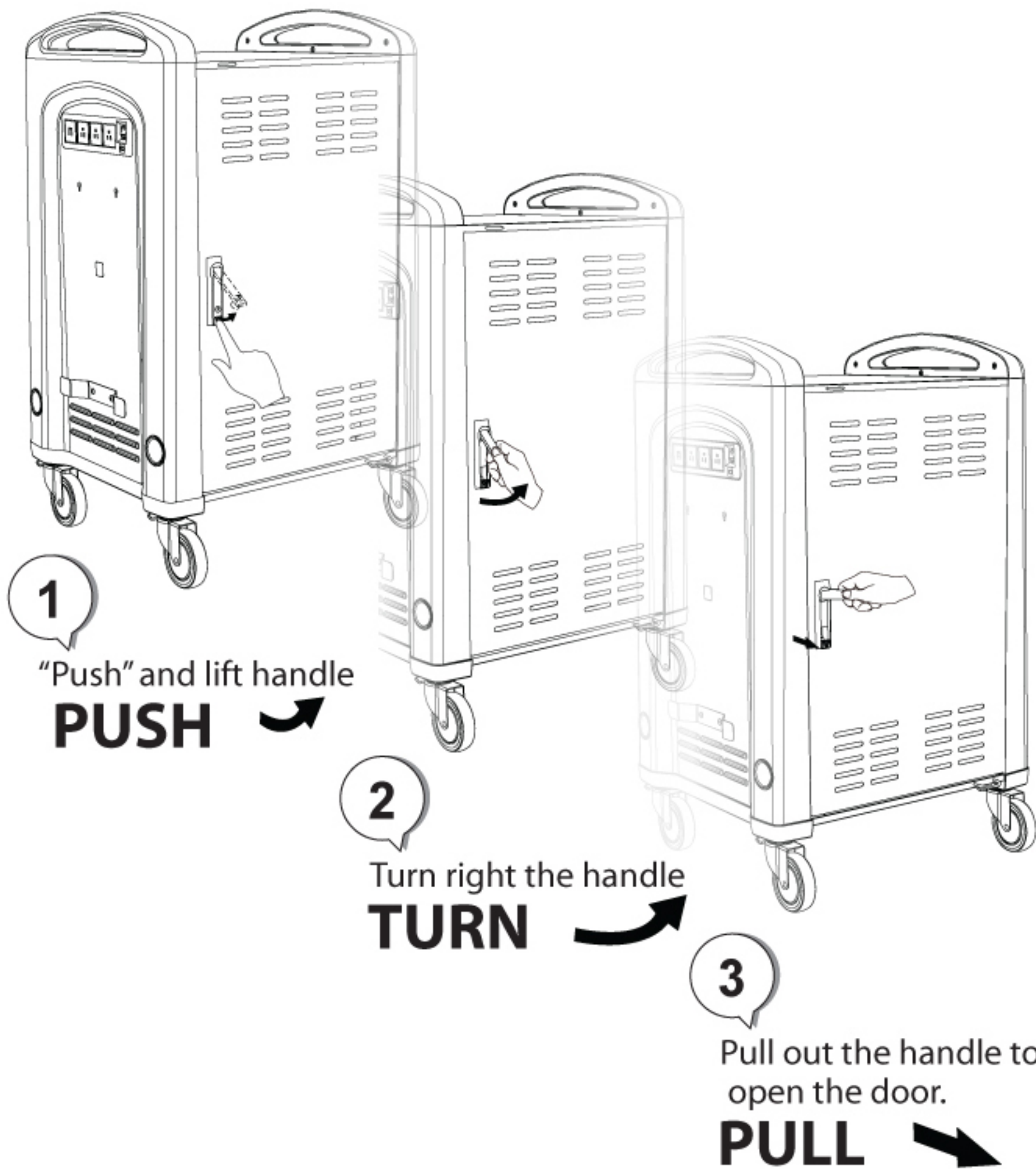


- ▶ Assemble caster by screwing on all four wheels.



Setting instruction ●

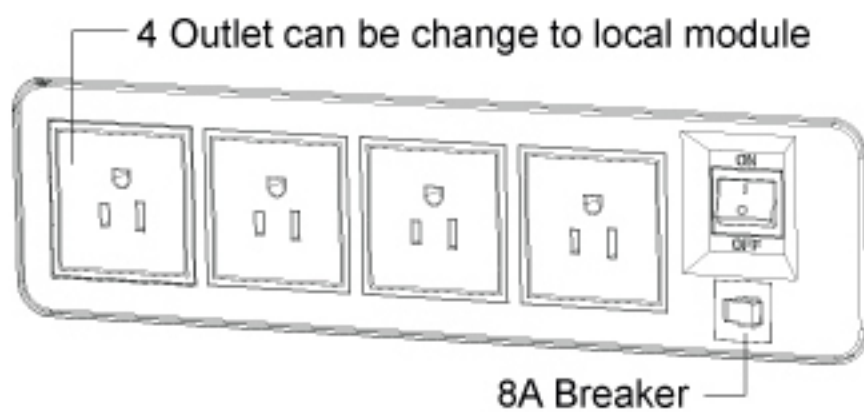
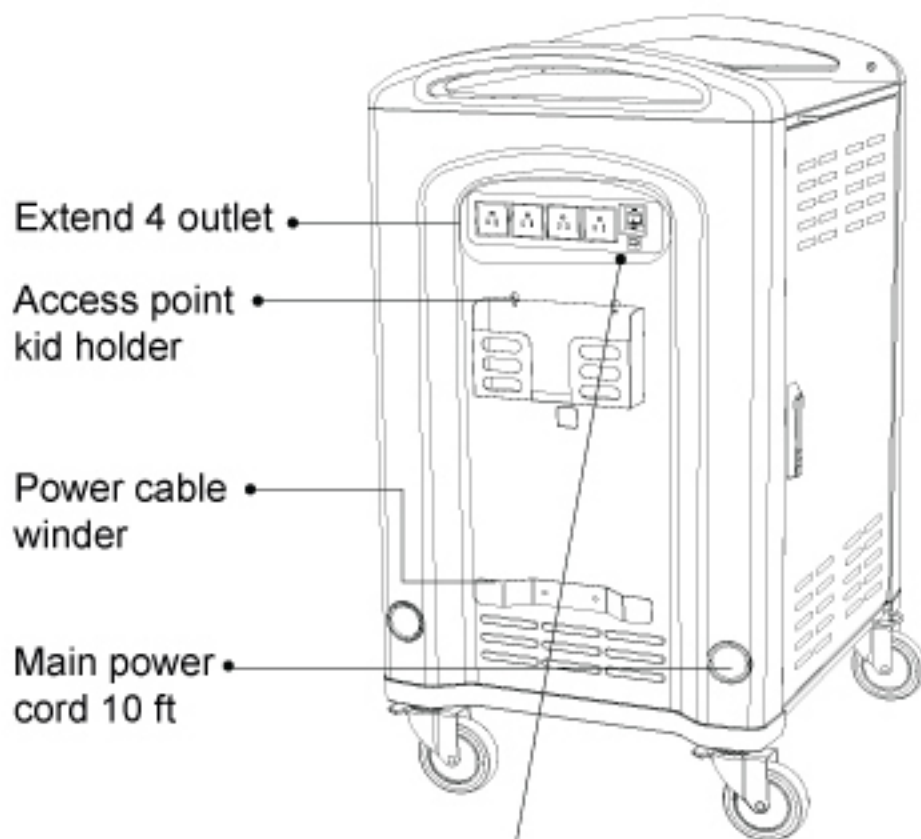
Stage 2



● Setting instruction

Stage 3

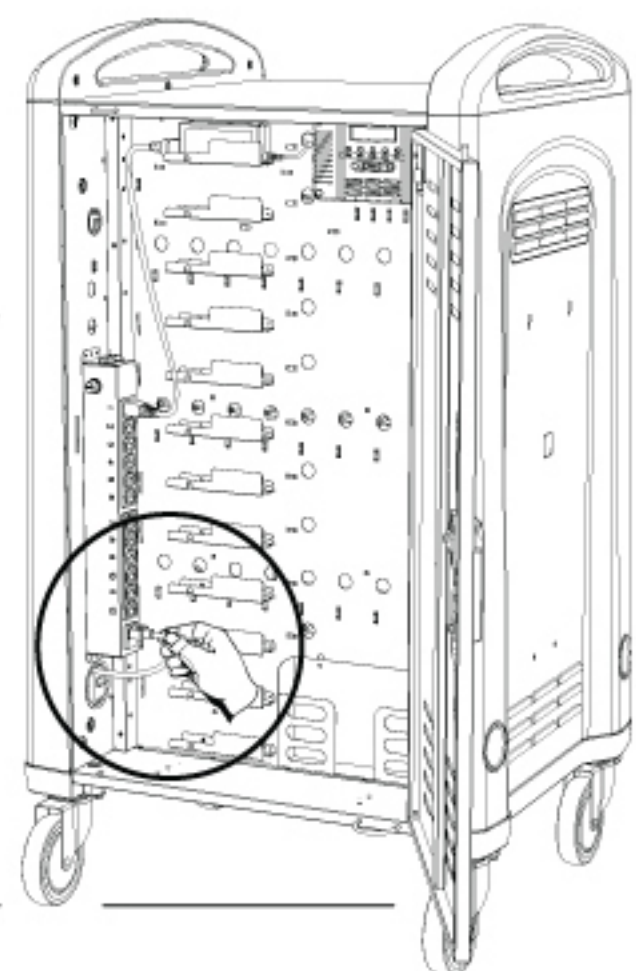
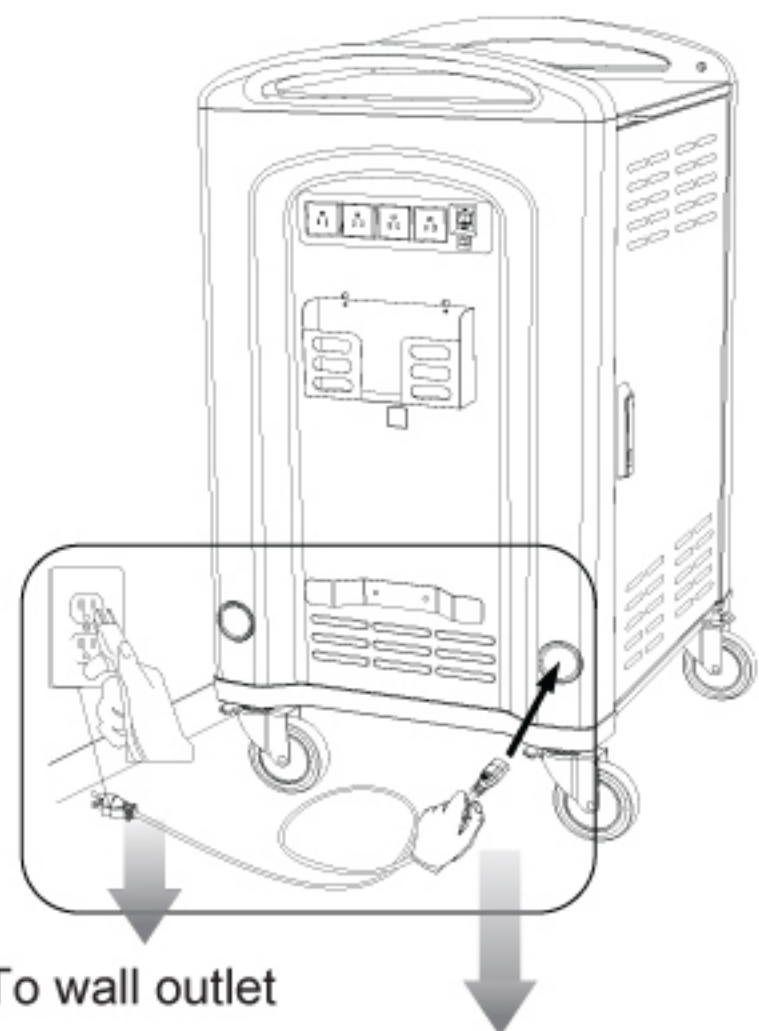
CHEN-SOURCE INC.
CHEN-20NBCE INC.



- ▶ Push back 8A breaker to make product turn into normally.

Tips!

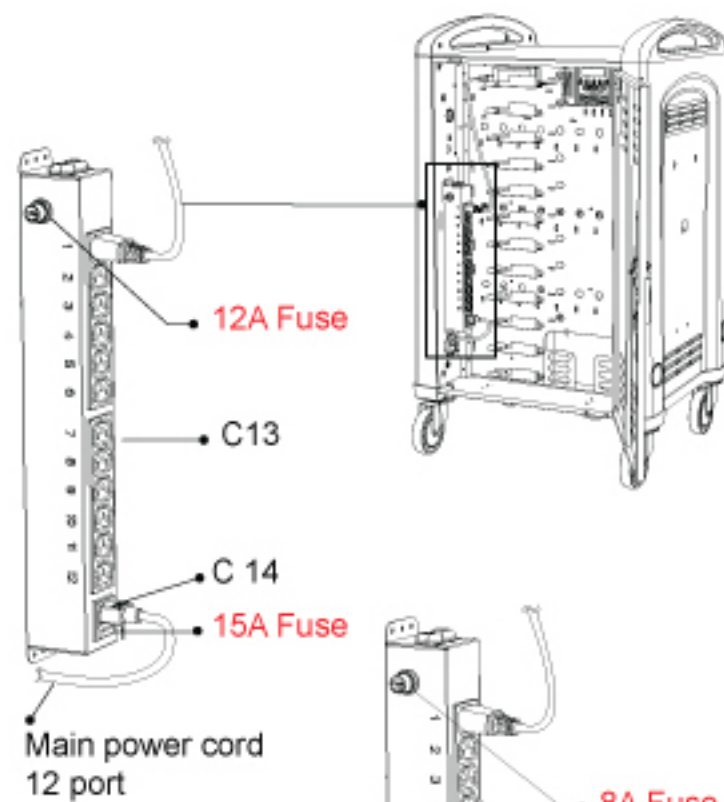
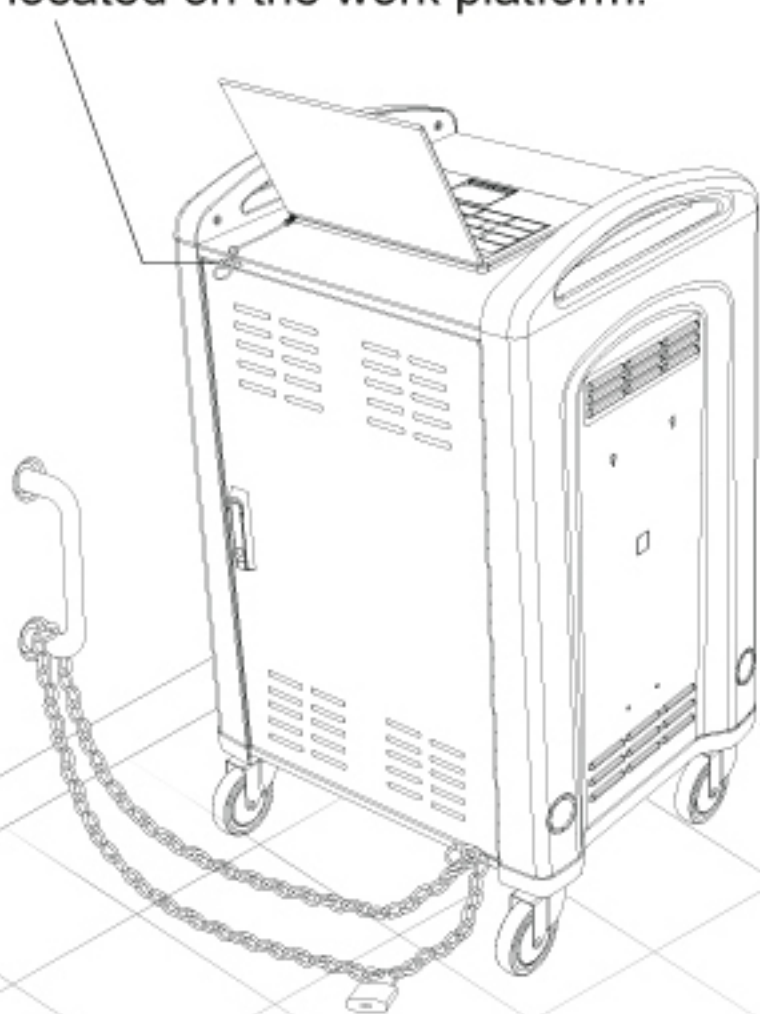
- ▶ Once plugged in to wall outlet then all four outlets will have power can be regulated using the on off button located next to the four outlets.
- ▶ When notebook is charging the four extra outlet will have no power.



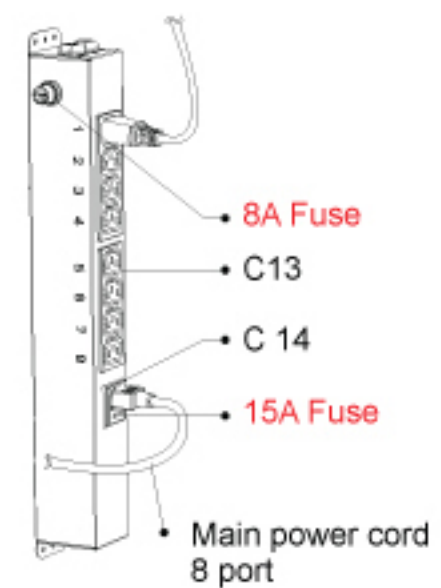
Setting instruction ●

Stage 4

- ▶ Security U chain for laptop printers located on the work platform.

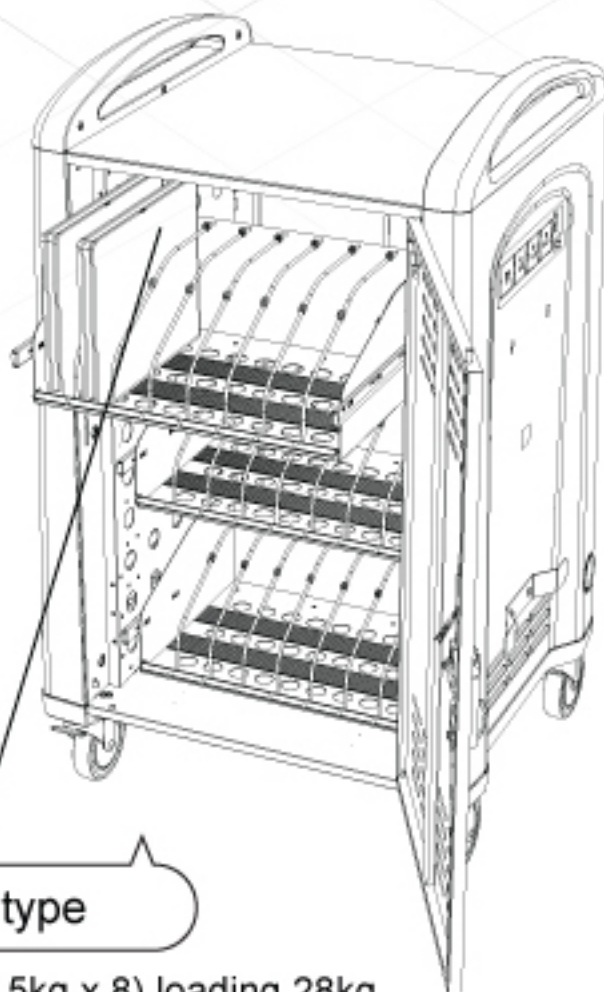


Main power cord
12 port



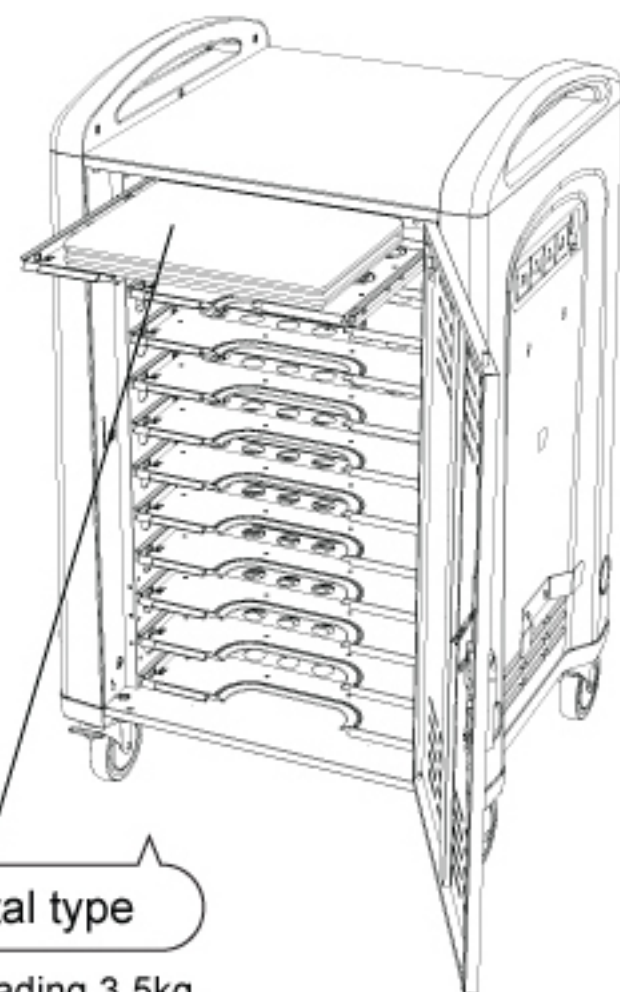
8A Fuse
C13
C14
15A Fuse

Main power cord
8 port



Vertical type

- Each tray (3.5kg x 8) loading 28kg



Horizontal type

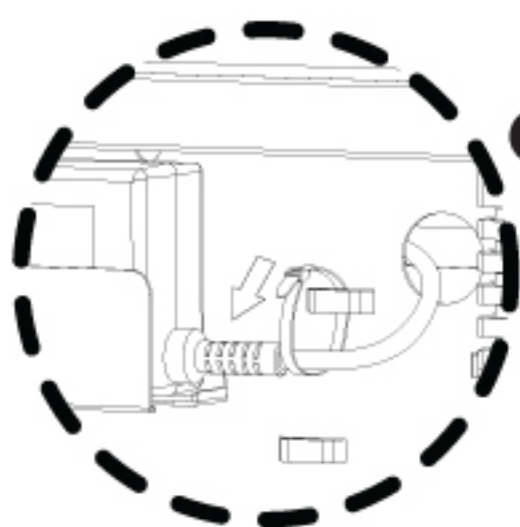
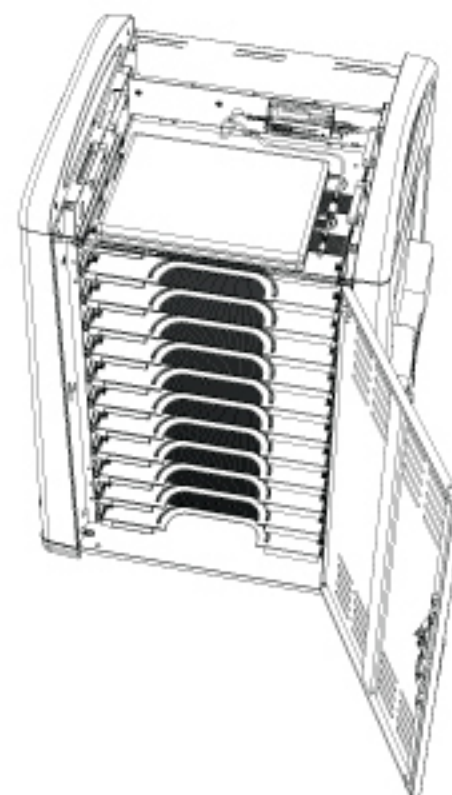
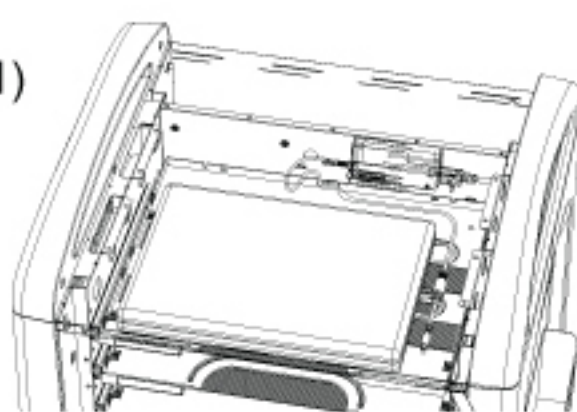
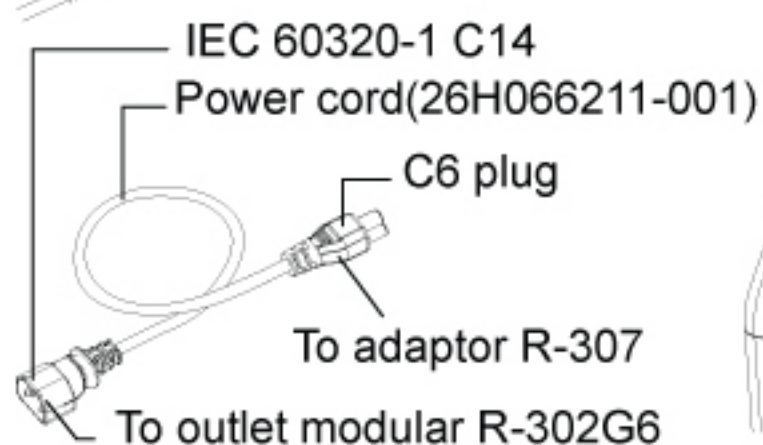
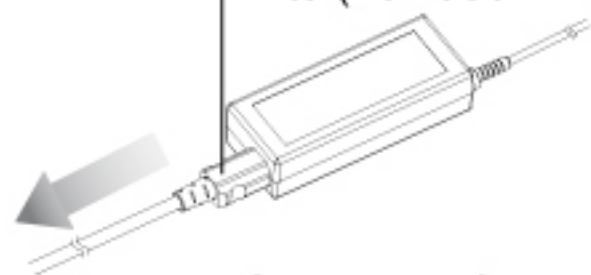
- Each tray loading 3.5kg

● Setting instruction

Stage 5

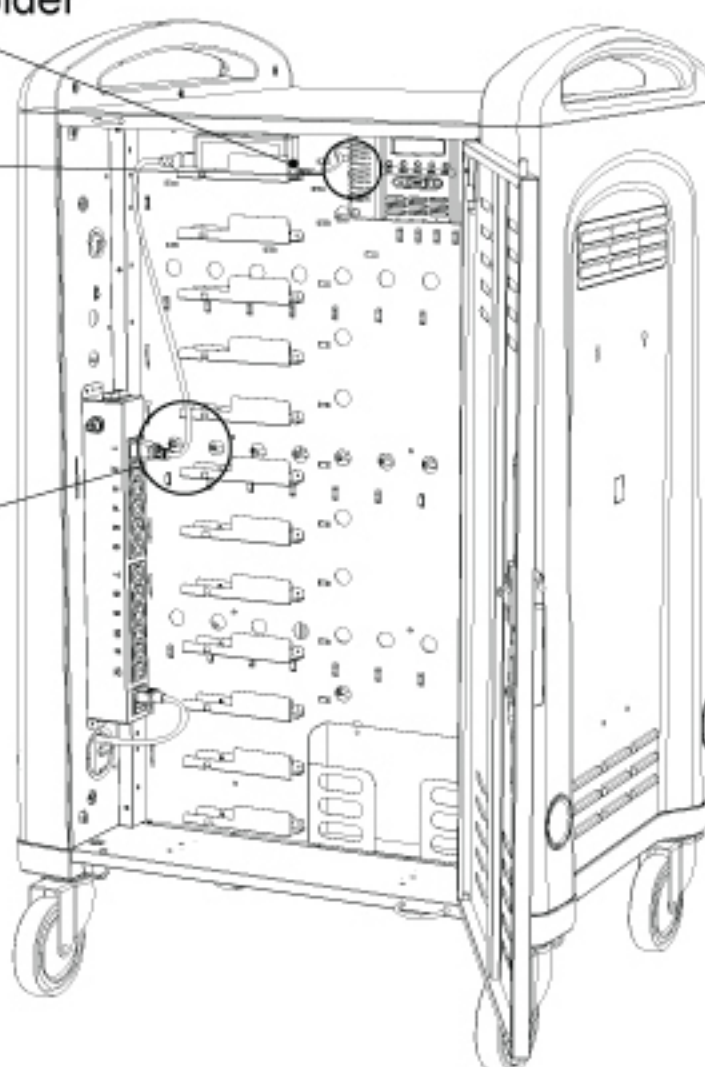
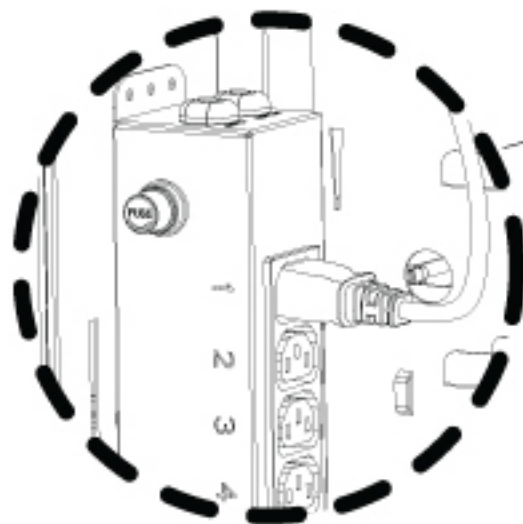
CHEN-SOURCE INC.
CHEN-SOURCE INC.

Replace adaptor power cord
to (26H066211-001) power cord.



▶ Laptop, Adaptor Holder

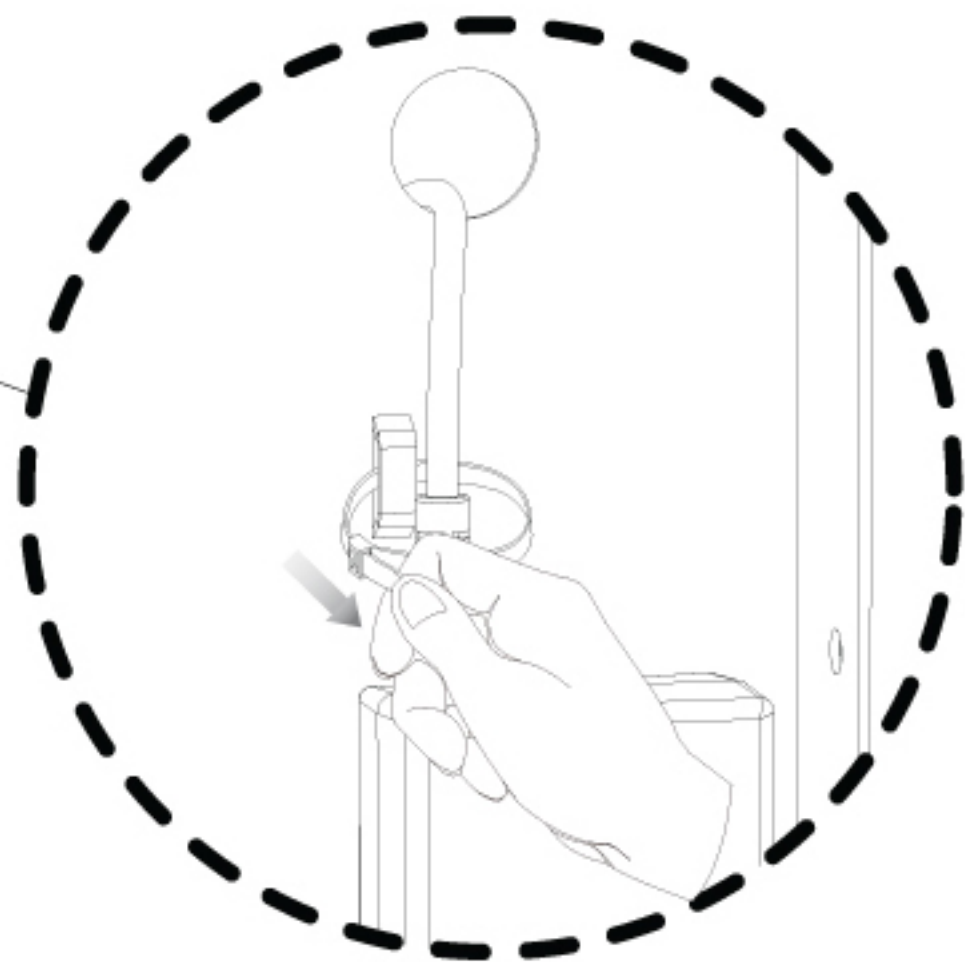
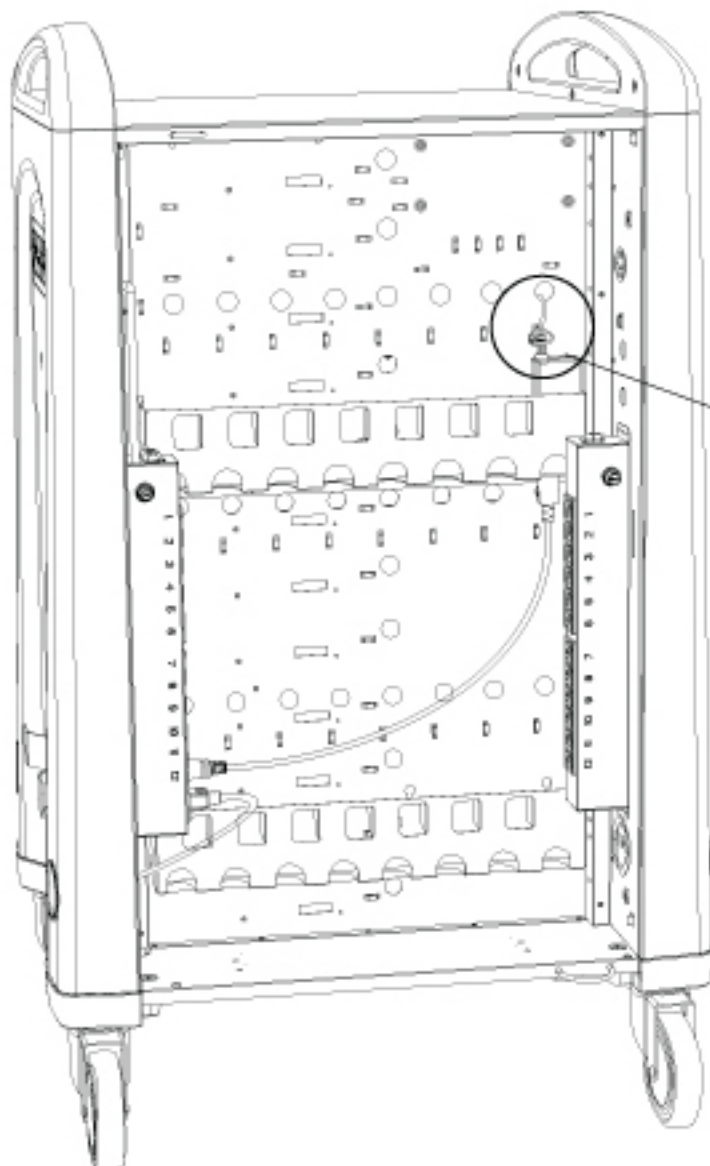
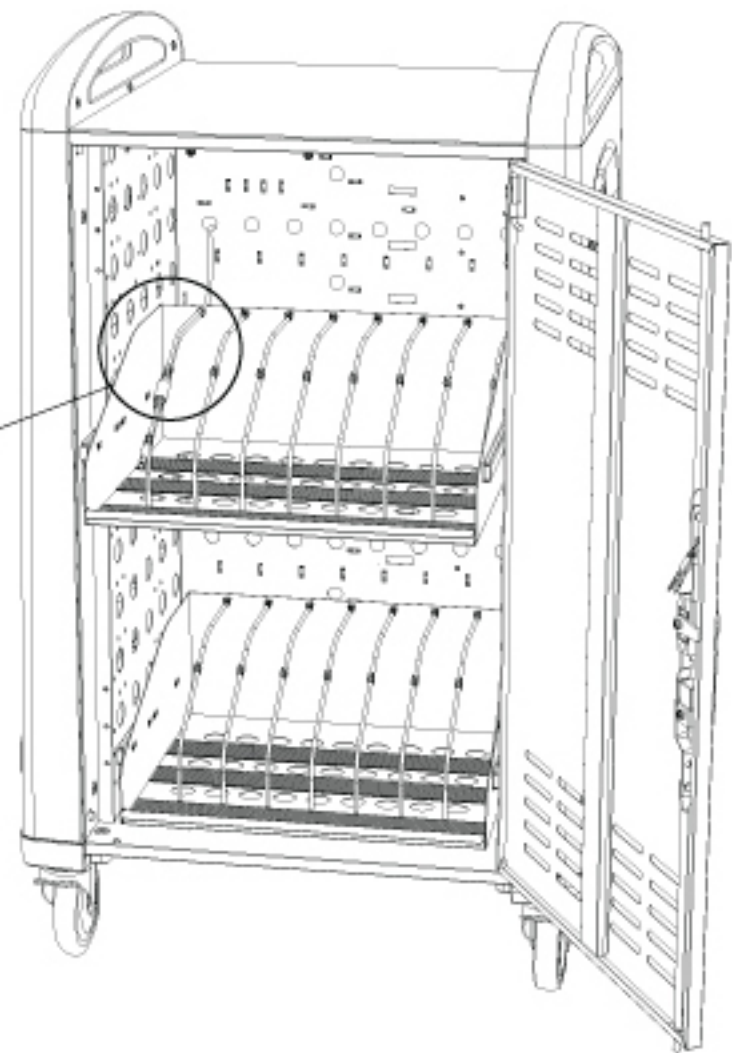
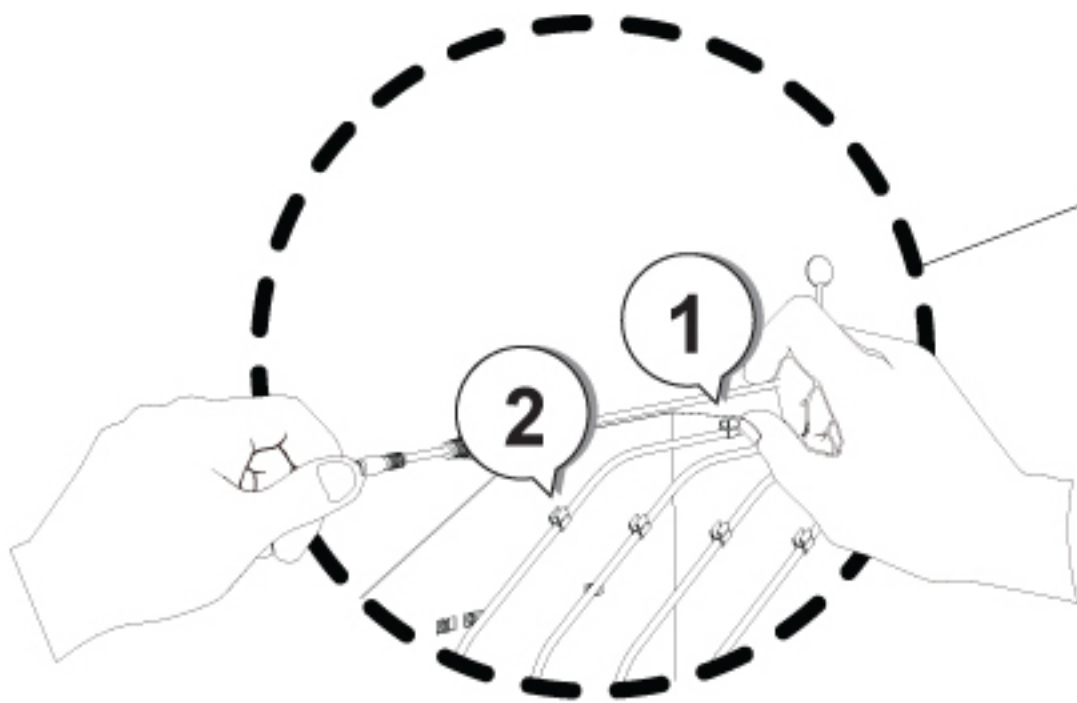
▶ Bracket for
channel sockets



Setting instruction ●

Stage 6

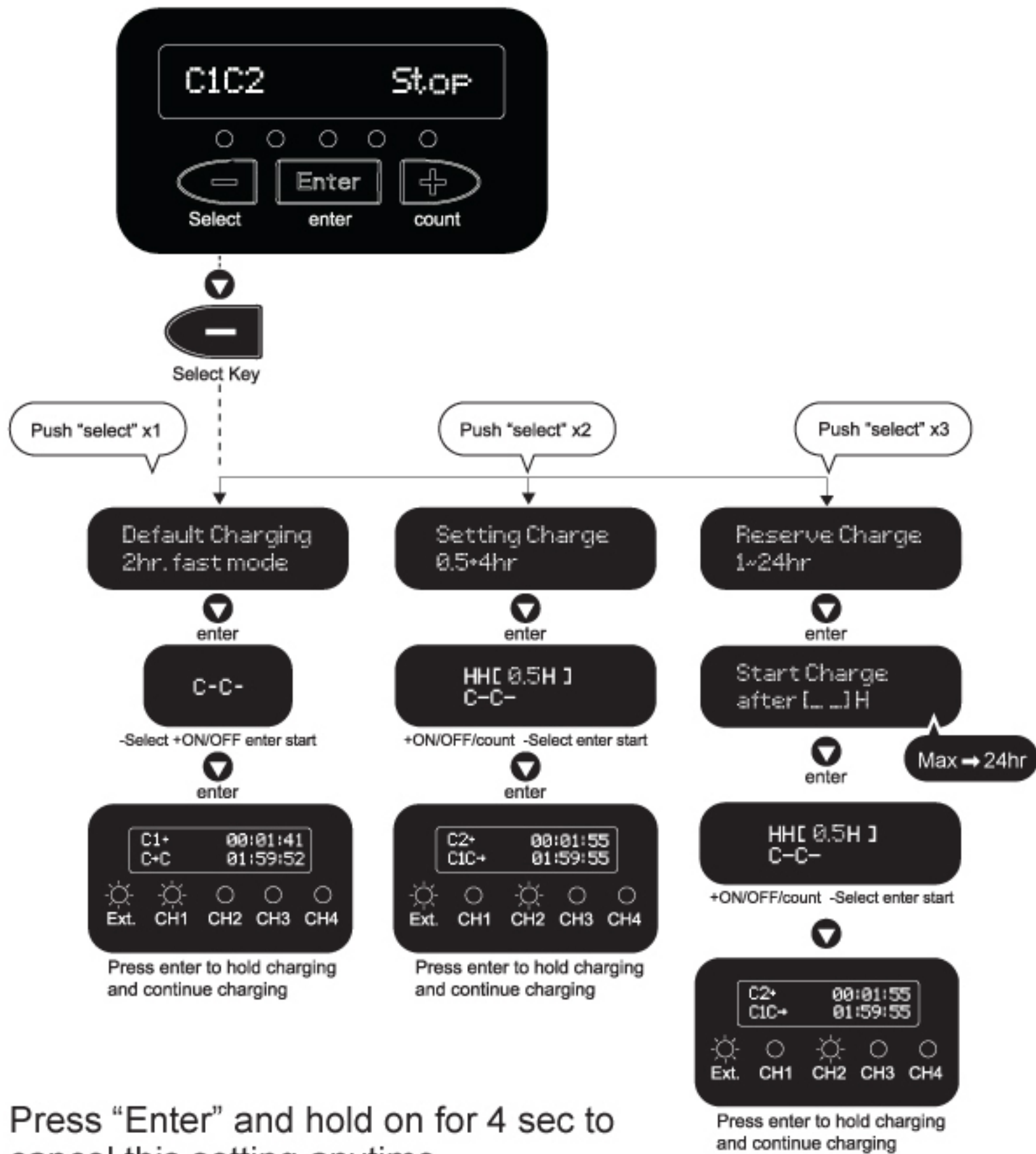
▶ Cable clips for wire management



▶ Cable clip for securing and managing cables.

● Setting instruction

OSD Control Operation



Tips!

- ▶ Once you finalize "OSD" set, then all channel outlets will have current.
- ▶ You can only setting the charge once power line is plugged in.

