

**2 Mega-Pixel Fish-Eye Panorama
Outdoor / Indoor IP Camera**

ICA-HM830 / ICA-HM830W

ICA-HM835

Quick Installation Guide

Table of Contents

Chapter 1. Introduction	3
1.1 Before Installation	3
1.2 System Requirements	3
Chapter 2. Physical Description and Installation.....	4
2.1 ICA-HM830 2Mega-Pixel Fish-Eye Panorama IP Camera	4
2.1.1 ICA-HM830 Package Content.....	4
2.1.2 ICA-HM830 Physical Details	4
2.1.3 ICA-HM830 Installation.....	6
2.1.4 Wall/Ceiling Mount Installation Procedure	7
2.2 ICA-HM830W 2Mega-Pixel Fish-Eye Panorama IP Camera.....	8
2.2.1 ICA-HM830W Package Content.....	8
2.2.2 ICA-HM830W Physical Details.....	9
2.2.3 ICA-HM830W Installation	11
2.2.4 Wall/Ceiling Mount Installation Procedure	12
2.3 ICA-HM835 2Mega-Pixel Vandal Proof Fish-Eye IP Camera	13
2.3.1 ICA-HM835 Package Content.....	13
2.3.2 ICA-HM835 Physical Details	13
2.3.3 ICA-HM835 Installation.....	15
Chapter 3. Camera Windows Utility	16
3.1 Network Configuration	16
3.2 Open the Web-based UI.....	18
Further Information	20

Chapter 1. Introduction

Thank you for purchasing the PLANET 2Mega-Pixel Fish-Eye Panorama IP-Camera. The Fish-Eye lens can view 360 degree panoramic wide angle view without blind spot. With user friendly interface, it is an easy-to-use IP camera which is designed for security application. The IP Cameras delivers clear image through Multi-streaming H.264 and Motion JPEG video up to UXGA (1600 x 1200 pixels).

The IP-Camera supports digital Pan/Tilt and zoom function can provide users 9 different video modes. It's applies perspective correction software to eliminate the rounding normally associated with Fish-Eye lenses and thus save lots of traditional mechanical Pan/Tilt maintenance cost.

It has built-in ICR (IR-cut filter Removable) for day / night surveillance and provides surveillance functions including DI/DO alarm, MicroSD card support for local storage, and 2-Way audio that enables audio communication between local and remote IP Camera installed sites by connecting the external microphone and speaker. Moreover, the IP camera can be managed by PLANET Cam Viewer 3 IP-Surveillance management software for multi-camera video surveillance application and provides monitoring, recording and event management functions to secure your property and life.

1.1 Before Installation

Before installation, please be sure to read this quick installation guide and user's manual (CD) carefully to complete machine installation. This guide shows how to quick set up the IP Cameras, unless model name specified terms "IP Camera" will be used for this model.

1.2 System Requirements

CPU	Intel® Core2 Duo E5300 2.6GHz
RAM	1 GB
Video RAM	128 MB
Display Chip	nVIDIA GeForce 8500GT or ATI Radeon HD 4350 or above
Display Resolution	1024 x 768 24bits
Operating System	Windows 2000 SP4 / Windows XP Pro SP2 / Windows 2003 / Vista
DirectX	9.0c or above
Network	Wired Ethernet 100Base-TX

Chapter 2. Physical Description and Installation

2.1 ICA-HM830 2Mega-Pixel Fish-Eye Panorama IP Camera

2.1.1 ICA-HM830 Package Content

IP camera unit x 1

Power Adapter x 1

Quick Installation Guide x 1

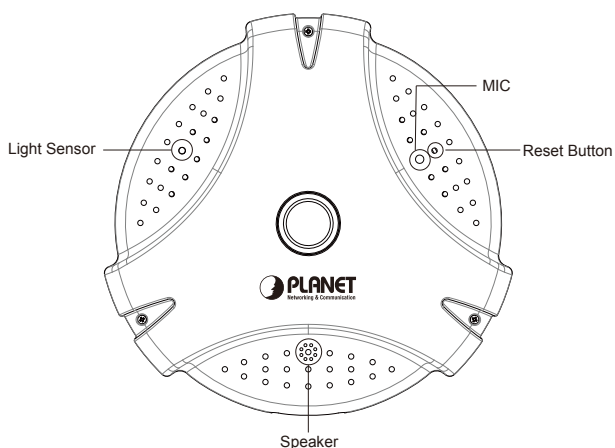
User's manual CD x 1

Wall Mount Kit x 1

GPIO Connector x 1

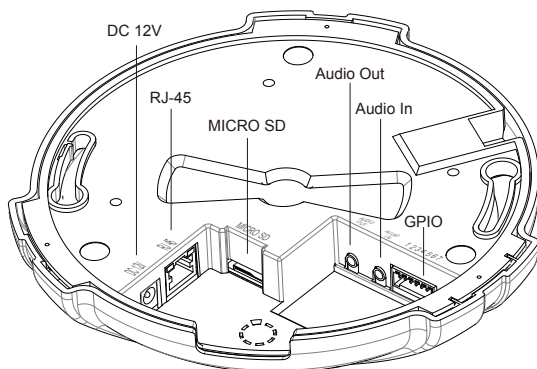
2.1.2 ICA-HM830 Physical Details

ICA-HM830 Front Panel:



Interface	Description
Light Sensor	The Light sensor is for detect IP Camera environment illuminant, and if IP Camera in the dark/night environment that will let IR cut filter off for clearly night view.
MIC	The IP Camera has built-in an internal microphone. This microphone is hidden in the pinhole located on the front panel.
Reset Button	This button is hidden in the pinhole. Please refer to the user's manual for more information.
Speaker	The IP Camera has built-in an internal speaker. This speaker is hidden in the pinhole located on the front panel.

ICA-HM830 Bottom Panel:

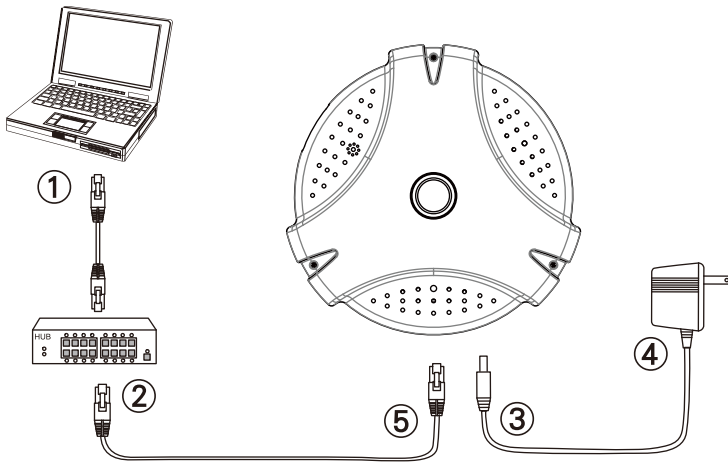


Interface	Description
Power Jack	The input power is DC 12V, 2A. Note: ONLY use package power adapter supplied with the internet. Otherwise, the product may be damaged.
RJ-45 LAN socket	Connect to PC or Hub/Switch. For connect to 10Base-T Ethernet or 100Base-TX Fast Ethernet cabling. This Ethernet port built auto-negotiation protocol can detect or negotiate the transmission speed of the network automatically. Please use CAT-5 cable to connect the Network Camera to a 100Mbps Fast Ethernet network switch or hub. Note: ONLY use one power source, either from DC or from 802.3af Power over Ethernet.
MicroSD Card Slot	The IP Camera has built-in a MicroSD card slot accepts MicroSD memory card for image / video event recording.
Audio Out	Connect a loud speaker to the IP Camera. This is for voice alerting and two-way audio.
Audio In	Connect a microphone to the IP Camera.
GPIO	The 7 pin terminal block includes 4 input ports and 1 output ports.

Terminal block for I/O connectors:

Name	Pin	Function
GND	1	Four sets of Digital Input, DI1 until DI4; the internal device is also photo-coupled electrical relay. In practice, the external device can be simply an On/Off switch. Four sets of On/Off switch can be connected as different trigger source.
Digital input 4	2	
Digital input 3	3	
Digital input 2	4	
Digital input 1	5	
DO_NO	6	Digital output implementation; Pin6 to COM (Pin7) is a Photo-coupled relay on Normal Open status. External device can directly connect to the terminals. However the current that will go through the 2 nodes must not exceed 130mA. An external "Relay" can also be connected to the terminals as an implementation. In this case, current (or/ and voltage) limitation is specified by the external Relay.
DO_COM	7	

2.1.3 ICA-HM830 Installation



Step 1. Prepare a PC with Ethernet link to the network

Step 2. Connect an Ethernet cable

Connect LAN port (RJ-45) of the IP Camera to a network switch. When this switch is a PoE device, you can ignore the next step.



If there has an IEEE 802.3af PoE switch in your network, you can connect the IP Camera's LAN cable to this PoE switch to obtain power. The power adapter is unnecessary when IP Camera is powered by PoE switch.

Step 3. Attach the power supply

Plug in power adapter to IP Camera and connect another end to power outlet.



Only use the power adapter supplied with IP Camera otherwise, the product may be damaged.

Step 4. Plug Power on 100V ~ 240V

Ensure the power adaptor specification matches the power system (100 ~ 110V AC or 220 ~ 240V AC) and connect the adaptor to the outlet.

Step 5. Check LED status

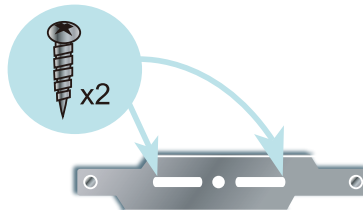
The Power LED is defined to identify IP Camera status. When IP Camera booting the LED will be flashing and while IP Camera is ready the LED will be green.

Step 6. Adjust lens focus

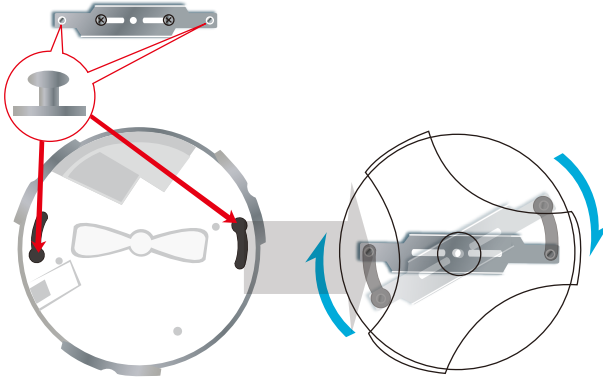
Clockwise or counter-clockwise rotation the IP Camera lens for adjust focus.

2.1.4 Wall/Ceiling Mount Installation Procedure

Step 1. Take the wall mount bracket, put it on the target place and fix it with the supplied screws (total of 2).



Step 2. Load the camera into the wall mount, be sure the camera is mated with two fixed screw, and rotate the camera to lock it in position.



2.2 ICA-HM830W 2Mega-Pixel Fish-Eye Panorama IP Camera

2.2.1 ICA-HM830W Package Content

IP camera unit x 1

Power Adapter x 1

Quick Installation Guide x 1

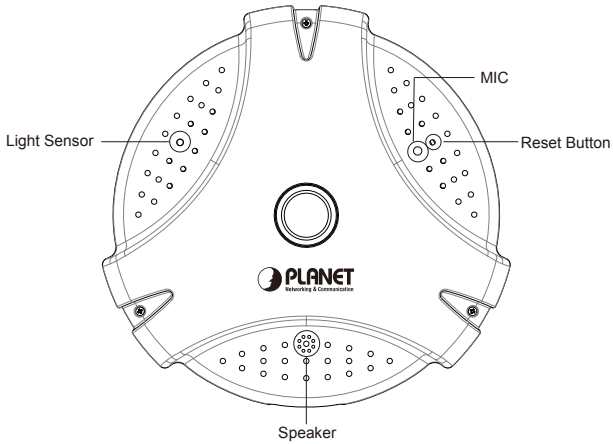
User's manual CD x 1

Wall Mount Kit x 1

GPIO Connector x 1

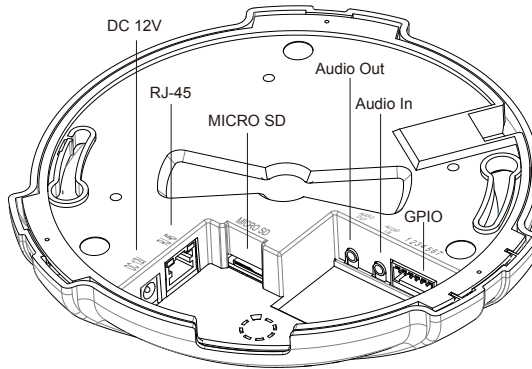
2.2.2 ICA-HM830W Physical Details

ICA-HM830W Front Panel:



Interface	Description
Light Sensor	The Light sensor is for detect IP Camera environment illuminant, and if IP Camera in the dark/night environment that will let IR cut filter off for clearly night view.
MIC	The IP Camera has built-in an internal microphone. This microphone is hidden in the pinhole located on the front panel.
Reset Button	This button is hidden in the pinhole. Please refer to the user's manual for more information.
Speaker	The IP Camera has built-in an internal speaker. This speaker is hidden in the pinhole located on the front panel.

ICA-HM830W Bottom Panel:

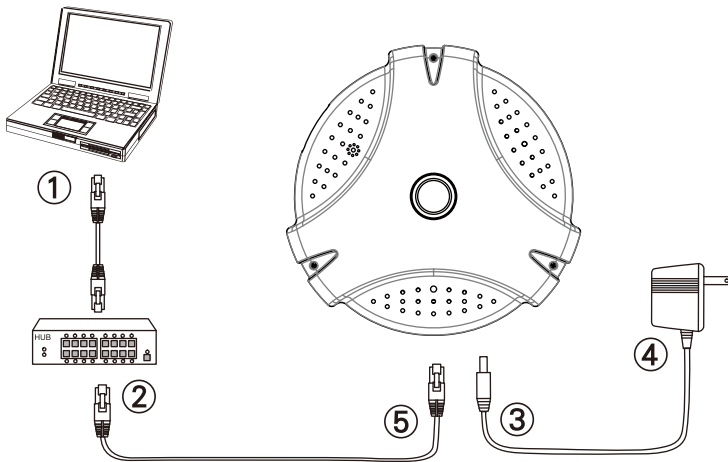


Interface	Description
Power Jack	The input power is DC 12V,2A. Note: ONLY use package power adapter supplied with the internet. Otherwise, the product may be damaged.
RJ-45 LAN socket	Connect to PC or Hub/Switch. For connect to 10Base-T Ethernet or 100Base-TX Fast Ethernet cabling. This Ethernet port built auto-negotiation protocol can detect or negotiate the transmission speed of the network automatically. Please use CAT-5 cable to connect the Network Camera to a 100Mbps Fast Ethernet network switch or hub.
MicroSD Card Slot	The IP Camera has built-in a MicroSD card slot accepts MicroSD memory card for image / video event recording.
Audio Out	Connect a loud speaker to the IP Camera. This is for voice alerting and two-way audio.
Audio In	Connect a microphone to the IP Camera.
GPIO	The 7 pin terminal block includes 4 input ports and 1 output ports.

Terminal block for I/O connectors:

Name	Pin	Function
GND	1	Four sets of Digital Input, DI1 until DI4; the internal device is also photo-coupled electrical relay. In practice, the external device can be simply an On/Off switch. Four sets of On/Off switch can be connected as different trigger source.
Digital input 4	2	
Digital input 3	3	
Digital input 2	4	
Digital input 1	5	
DO_NO	6	Digital output implementation; Pin6 to COM (Pin7) is a Photo-coupled relay on Normal Open status. External device can directly connect to the terminals. However the current that will go through the 2 nodes must not exceed 130mA. An external "Relay" can also be connected to the terminals as an implementation. In this case, current (or/and voltage) limitation is specified by the external Relay.
DO_COM	7	

2.2.3 ICA-HM830W Installation



Step 1. Prepare a PC with Ethernet link to the network

Step 2. Connect an Ethernet cable

Connect LAN port (RJ-45) of the IP Camera to a network switch.

Step 3. Attach the power supply

Plug in power adapter to IP Camera and connect another end to power outlet.



Note

Only use the power adapter supplied with IP Camera otherwise, the product may be damaged.

Step 4. Plug Power on 100V ~ 240V

Ensure the power adaptor specification matches the power system (100 ~ 110V AC or 220 ~ 240V AC) and connect the adaptor to the outlet.

Step 5. Check LED status

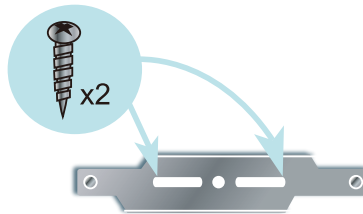
The Power LED is defined to identify IP Camera status. When IP Camera booting the LED will be flashing and while IP Camera is ready the LED will be green.

Step 6. Adjust lens focus

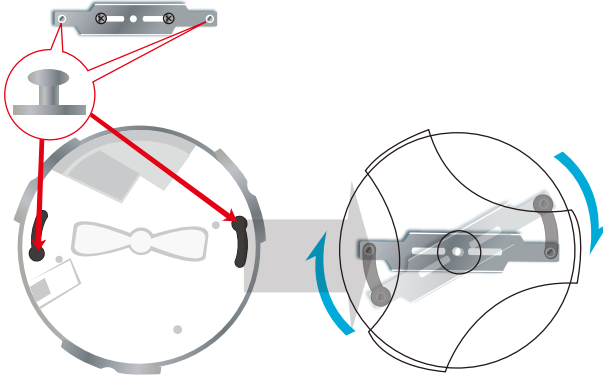
Clockwise or counter-clockwise rotation the IP Camera lens for adjust focus.

2.2.4 Wall/Ceiling Mount Installation Procedure

Step 1. Take the wall mount bracket, put it on the target place and fix it with the supplied screws (total of 2).



Step 2. Load the camera into the wall mount, be sure the camera is mated with two fixed screw, and rotate the camera to lock it in position.



2.3 ICA-HM835 2Mega-Pixel Vandal Proof Fish-Eye IP Camera

2.3.1 ICA-HM835 Package Content

IP camera unit x 1

Power Adapter x 1

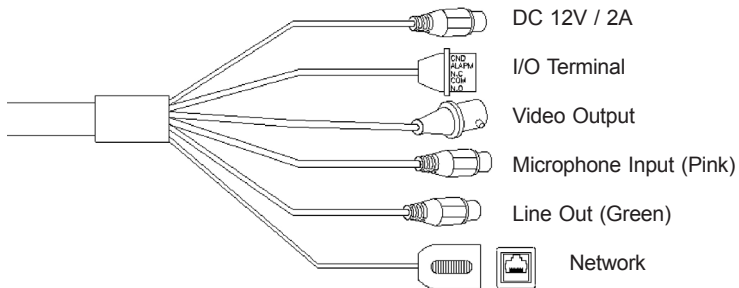
Quick Installation Guide x 1

User's manual CD x 1

Screw Package x 1

GPIO Connector x 1

2.3.2 ICA-HM835 Physical Details

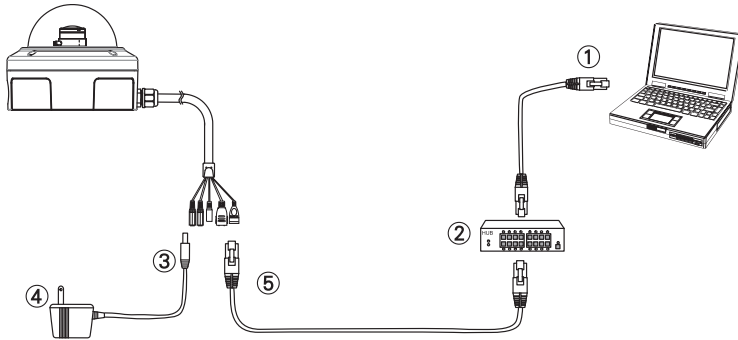


Interface	Description
Power Jack	The input power is DC 12V, 2A. Note: ONLY use package power adapter supplied with the internet. Otherwise, the product may be damaged.
Network (RJ-45 LAN socket)	Connect to PC or Hub/Switch. For connect to 10Base-T Ethernet or 100Base-TX Fast Ethernet cabling. This Ethernet port built auto-negotiation protocol can detect or negotiate the transmission speed of the network automatically. Please use CAT-5 cable to connect the Network Camera to a 100Mbps Fast Ethernet network switch or hub. Note: ONLY use one power source, either from DC or from 802.3af Power over Ethernet.
Line Out (Green)	Connect a loud speaker to the IP Camera. This is for voice alerting and two-way audio.
Microphone Input (Pink)	Connect a microphone to the IP Camera.
Video Output (BNC)	Connect Video BNC connector to a TV set if necessary (to check camera viewing angle and focus).
GPIO	The 6 pin terminal block includes 1 input ports and 1 output ports.

Terminal block for I/O connectors:

Name	Pin	Description
Common	1	Digital output implementation; Pin2 to COM (Pin1) is a Photo-coupled relay on Normal Open status. External device can directly connect to the terminals. However the current that will go through the 2 nodes must not exceed 130mA. An external "Relay" can also be connected to the terminals as an implementation. In this case, current (or/ and voltage) limitation is specified by the external Relay.
RELAY_NO	2	
DGND	3	Connect to GND to activate, or leave floating (or unconnected) to deactivate.
DIGI Input	4	
DGND	5	PIN with a short wire connecting two revert to factory default settings.
Load default	6	

2.3.3 ICA-HM835 Installation



Step 1: Prepare a PC with Ethernet link to the network

Step 2: Connect an Ethernet cable

Connect LAN port (RJ-45) of the IP Camera to a network switch. When this switch is a PoE device, you can ignore the next step.



Note

If there has an IEEE 802.3af PoE switch in your network, you can connect the IP Camera's LAN cable to this PoE switch to obtain power. The power adapter is unnecessary when IP Camera is powered by PoE switch.

Step 3: Attach the power supply

Plug in power adapter to IP Camera and connect another end to power outlet.



Note

Only use the power adapter supplied with IP Camera otherwise, the product may be damaged.

Step 4: Plug Power on 100V ~ 240V

Ensure the power adaptor specification matches the power system (100 ~ 110V AC or 220 ~ 240V AC) and connect the adaptor to the outlet.

Step 5: Check LED status

The Power LED is defined to identify IP Camera status. When IP Camera booting the LED will be flashing and while IP Camera is ready the LED will be green.

Step 6: Adjust lens focus

Clockwise or counter-clockwise rotation the IP Camera lens for adjust focus.

Chapter 3. Camera Windows Utility

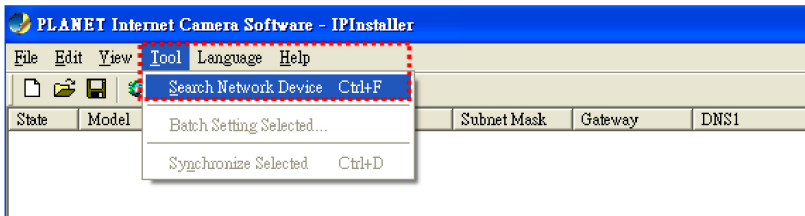
This chapter shows how to quick set up your IP Camera. The IP Camera is with the default settings. However to help you find the networked IP Camera quickly the Windows utility (PLANET IPInstaller) can search the IP Cameras in the network that shall help you to configure some basic setting before you start advanced management and monitoring.

Please insert the bundle CD disk into your CD/DVD-ROM drive. When the welcome web page appears, please click your IP Camera name on the IP Camera list i.e. ICA-HM830. Then click on the utility IPInstaller to start the program.

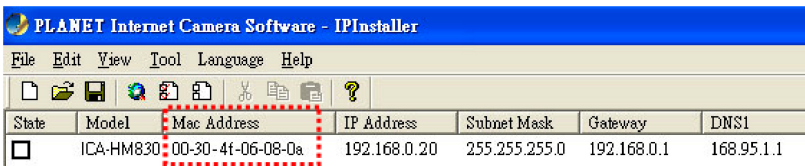
3.1 Network Configuration

Please click "**Search Network Device**" button. PLANET IPInstaller will list all networked IP Camera in the LAN. If the IP Camera doesn't be found, you may check whether this IP Camera is connect to network properly and press the search button again.

1. Click the menu bar **Tool > Search Network Device** to search the device in the LAN.



2. Select IP Camera with the MAC Address corresponds to the IP Camera that is to be configured.



Mac Address

3. Double click the item to open the Property Page or click the menu bar **View > Property**.

The screenshot shows a dialog box titled "Property Page" with a close button (X) in the top right corner. It contains three main sections: "Video Server", "Property", and "Username & Password".

- Video Server:** Includes fields for "Mac Addr" (00-30-44-05-58-f) and "Firmware Version" (2.0.0629_planet). To the right are "Set" and "Cancel" buttons.
- Property:** This section is highlighted with a red dashed border. It contains fields for:
 - IP Address: 192.168.0.20
 - Subnet Mask: 255.255.255.0
 - Gateway: 192.168.0.254
 - Http Port: 80
 - DNS1: 168.95.1.1
 - DNS2: 168.95.1.1
 - DNS3: 168.95.1.1
- Username & Password:** Includes a checkbox for "Use Custom" (unchecked), a "Username" field (admin), and a "Password" field.

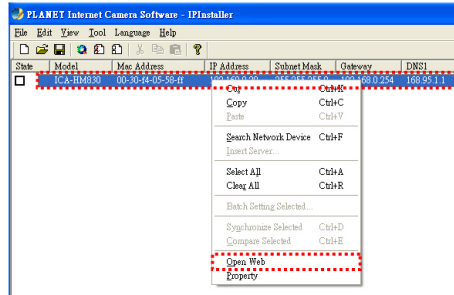
4. After filling the desired settings in the properties, click on **"Set"** button to complete the configuration settings.

This screenshot is identical to the previous one, showing the "Property Page" dialog box with the same configuration values. The only difference is that the "Set" button in the top right corner is now highlighted with a red dashed border, indicating it is the next step in the process.

3.2 Open the Web-based UI

If IPInstaller finds IP Camera, please select the device you want to view and click the “**Open Web**” button. Then you could see the video from IP Camera directly.

1. To access the Web-based UI of the selected unit, run the View > Open Web on the menu bar.



2. After connected to IP Camera, it will prompt for User Name and Password, please enter **admin/admin** to continue Web Management. Confirm the installation as it is required to view the video stream and some operations.



If difficulty is met, please refer to the following steps to establish the connection:

- The IP Camera must be installed and powered ON.
- If the IP Camera's default IP Address (**192.168.0.20**) is already used by another device, the other device must be turned OFF until the device is allocated a new IP Address during configuration.

3. For the first installation, there will be a prompt to install the ActiveX control.



4. If the device has been configured correctly, the default Web browser will open to the home page of the selected device.



Further Information

This guide is used to help you startup your Fish-Eye IP Camera settings. It is also recommended to check the user manual in CD disk for more details of the system and user configuration.