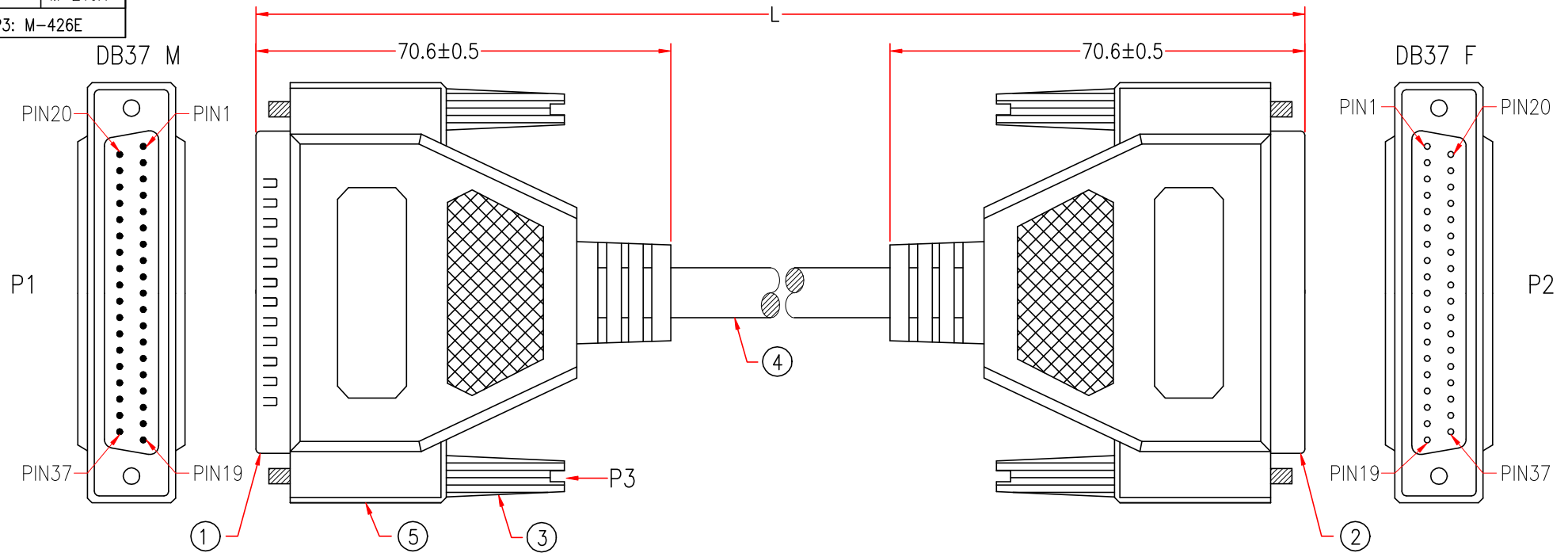


P1,P2: M-Y219A  
M-219A  
P3: M-426E

Customer No: No.4



\*NOTE: All relevant materials are complied with RoHS directive .

3033-5			
P1	_____	P2	
1	_____	1	
2	_____	2	
	∫ 1:1		
36	_____	36	
37	_____	37	
SHIELD	_____	SHIELD	

5	BLACK PVC TUPE $\phi 3.0 \times 42\text{mm}$	2	M304
	COPPER FOIL 33*110mm	2	M309
	MOLDED PE COLOR TRANSPARENT		M280
	MOLDED PVC BEIGE		M304
4	UL2464 37C 28AWG, ALUM-MYLAR FOIL SHIELDING WITH DRAIN WIRE, OD 8.5mm, JACKET BEIGE, DRAWING No. EMAL2837C-107	L+20mm	M304
3	MOLDED THUMBSCREW #4-40, LENGTH 46.5mm, BEIGE(GOLD PLATED)	4	M95
2	DB37 FEMALE, GOLD FLASH ON CONTACTS AND GOLD CONNECTOR, BLUE INSULATOR	1	M108
1	DB37 MALE, GOLD FLASH ON CONTACTS AND GOLD CONNECTOR, BLUE INSULATOR	1	M108
No.	DESCRIPTION	Q'TY	Supplier

APPROVED		<b>TECK</b>	Cable Length Unless Other Spec. Tolerances: 0 ~200mm $\pm 10\text{mm}$ 201~1000mm $\pm 20\text{mm}$ 1001 ~1500mm $\pm 25\text{mm}$ 1501~2100mm $\pm 30\text{mm}$ 2100mm $\uparrow$ $\pm 40\text{mm}$
CHECKED	HU		
DRAWING	JUDY		
DATE	16/DEC/08	ITEM NO.	3033-5
		UNIT:mm	

CHECKED