

KPC-1570 Series

15" Industrial Panel PC with Intel® BayTrail Processors

User's Guide



Content

Content.....	2
Figures & Tables.....	3
Safety Instructions.....	4
Before You Begin	4
When Working Inside a Computer	4
Preventing Electrostatic Discharge	5
Instructions for Lithium Battery	6
Preface.....	7
How to Use This Guide	7
Unpacking.....	7
Regulatory Compliance Statements.....	7
Maintaining Your Computer.....	8
Chapter 1 Introduction	10
Overview.....	10
Product Specifications	11
System tour.....	12
Mechanical Dimensions	14
Chapter 2 Getting Started	15
Setting up your PC.....	15
VESA Mounting.....	19
Panel Mounting.....	20
Chapter 3 AMI BIOS Setup.....	22
Overview.....	22
Main Menu	23
Advanced Menu.....	24
Boot Menu	33
Security Menu.....	34
Save & Exit Menu	35
Chapter 4 Driver Installation	37

Figures & Tables

Figure 1 I/Os	12
Figure 2 Mechanical Dimensions	14
Figure 3 DP/ VGA/ HDMI	15
Figure 4 Connect USB mouse & keyboard	16
Figure 5 RJ45 connector	16
Figure 6 COM ports	17
Figure 7 Turning on the system	18
Figure 8 VESA Mounting Hole Locations	19
Figure 9 Panel Mount Cut-out hole and maximum panel thickness	20
Figure 10 Panel Mounting	21
Table 1 KPC-1570 product specifications	11
Table 2 BIOS Main Menu	23
Table 3 Advanced Menu	24
Table 4 Advanced Menu – Display Configuration	25
Table 5 Advanced Menu –Power Management Configuration	26
Table 6 Advanced Menu –CPU Advanced Configuration	27
Table 7 Advanced Menu –SATA Configuration	28
Table 8 Advanced Menu –USB Configuration	29
Table 9 Advanced Menu – Super IO Configuration	29
Table 10 Advanced Menu – Super IO Configuration – Serial Port 1 Configuration	30
Table 11 Advanced Menu – Super IO Configuration – Serial Port 2 Configuration	30
Table 12 Advanced Menu –H/W Monitor	32
Table 13 Boot Menu	33
Table 14 Security Menu	34
Table 15 Save & Exit Menu	35

Safety Instructions

■ Before You Begin

Before handling the product, read the instructions and safety guidelines on the following pages to prevent damage to the product and to ensure your own personal safety. Refer to the “Advisories” section in the Preface for advisory conventions used in this user’s guide, including the distinction between Warnings, Cautions, Important Notes, and Notes.

- Always use caution when handling/operating a computer. Only qualified, experienced, authorized electronics service personnel should access the interior of a computer. The power supplies produce high voltages and energy hazards, which can cause bodily harm.
- Use extreme caution when installing or removing components. Refer to the installation instructions in this user’s guide for precautions and procedures. If you have any questions, please contact our Post-Sales Technical Support.
- Access can only be gained by service persons or by users who have been instructed about the reasons for the restrictions applied to the location and about any precautions that shall be taken; and access is through the use of a tool or lock and key, or other means of security, and is controlled by authority responsible for the location.

WARNING



High voltages are present inside the chassis when the unit’s power cord is plugged into an electrical outlet. Turn off system power, turn off the power supply, and then disconnect the power cord from its source before removing the chassis cover. Turning off the system power switch does not remove power to components.

■ When Working Inside a Computer

Before taking covers off a computer, perform the following steps:

1. Turn off the computer and any peripherals.

2. Disconnect the computer and peripherals from their power sources or subsystems to prevent electric shock or system board damage. This does not apply when hot swapping parts.
3. Follow the guidelines provided in “Preventing Electrostatic Discharge” on the following page.
4. Disconnect any telephone or telecommunications lines from the computer.

In addition, take note of these safety guidelines when appropriate:

- To help avoid possible damage to system boards, wait five seconds after turning off the computer before removing a component, removing a system board, or disconnecting a peripheral device from the computer.
- When you disconnect a cable, pull on its connector or on its strain-relief loop, not on the cable itself. Some cables have a connector with locking tabs. If you are disconnecting this type of cable, press in on the locking tabs before disconnecting the cable. As you pull connectors apart, keep them evenly aligned to avoid bending any connector pins. Also, before connecting a cable, make sure both connectors are correctly oriented and aligned.

CAUTION



Do not attempt to service the system yourself except as explained in this user's guide. Follow installation and troubleshooting instructions closely.

■ Preventing Electrostatic Discharge

Static electricity can harm system boards. Perform service at an ESD workstation and follow proper ESD procedure to reduce the risk of damage to components. We strongly encourage you to follow proper ESD procedure, which can include wrist straps and smocks, when servicing equipment.

You can also take the following steps to prevent damage from electrostatic discharge (ESD):

- When unpacking a static-sensitive component from its shipping carton, do not remove the component's antistatic packing material until you are ready to install the component in a computer. Just before unwrapping the antistatic packaging, be sure you are at an ESD workstation or grounded. This will discharge any static electricity that may have built up in your body.
- When transporting a sensitive component, first place it in an antistatic container or packaging.

Safety Instructions

- Handle all sensitive components at an ESD workstation. If possible, use antistatic floor pads and workbench pads.
- Handle components and boards with care. Don't touch the components or contacts on a board. Hold a board by its edges or by its metal mounting bracket.
- Do not handle or store system boards near strong electrostatic, electromagnetic, magnetic, or radioactive fields.

■ Instructions for Lithium Battery



WARNING

Danger of explosion when battery is replaced with incorrect type. Only replace with the same or equivalent type recommended by the manufacturer.

Do not dispose of lithium batteries in domestic waste. Dispose of the battery according to the local regulations dealing with the disposal of these special materials (e.g. to the collecting points for disposal of batteries)

Preface

■ How to Use This Guide

This guide is designed to be used as step-by-step instructions for installation, and as a reference for operation, troubleshooting, and upgrades.

■ Unpacking

When unpacking, follow these steps:

1. After opening the box, save it and the packing material for possible future shipment.
2. Remove all items from the box. If any items listed on the purchase order are missing, notify Our customer service immediately.
3. Inspect the product for damage. If there is damage, notify Our customer service immediately. Refer to “Warranty Policy” for the return procedure.

■ Regulatory Compliance Statements

This section provides the FCC compliance statement for Class A devices.

FCC Compliance Statement:

This equipment has been tested and found to comply with limits for a Class A digital device, pursuant to Part 15 of the FCC rules. These limits are designed to provide reasonable protection against harmful interference in residential installations. This equipment generates, uses, and can radiate radiofrequency energy, and if not installed and used in accordance with the instructions, may cause harmful interference to radio communications. However, there is no guarantee that interference will not occur in a particular installation. If this equipment does cause interference to radio or television equipment reception, which can be determined by turning the equipment off and on, the user is encouraged to try to correct the interference by one or more of the following measures:

- Reorient or relocate the receiving antenna.
- Increase the separation between the equipment and receiver.

- Connect the equipment to an outlet on a circuit different from that to which the receiver is connected.
- Consult the dealer or an experienced radio/TV technician for help.

Changes or modifications not expressly approved by us could void the user's authority to operate the equipment.

NOTE



The assembler of a personal computer system may be required to test the system and/or make necessary modifications if a system is found to cause harmful interference or to be noncompliant with the appropriate standards for its intended use.

■ Maintaining Your Computer

Environmental Factors

■ Temperature

The ambient temperature within an enclosure may be greater than room ambient temperature. Installation in an enclosure should be such that the amount of air flow required for safe operation is not compromised.

Consideration should be given to the maximum rated ambient temperature. Overheating can cause a variety of problems, including premature aging and failure of chips or mechanical failure of devices.

If the system has been exposed to abnormally cold temperatures, allow a two-hour warm-up period to bring it up to normal operating temperature before turning it on. Failure to do so may cause damage to internal components, particularly the hard disk drive.

■ Humidity

High-humidity can cause moisture to enter and accumulate in the system. This moisture can cause corrosion of internal components and degrade such properties as electrical resistance and thermal conductivity. Extreme moisture buildup inside the system can result in electrical shorts, which can cause serious damage to the system.

Buildings in which climate is controlled usually maintain an acceptable level of humidity for system equipment. However, if a system is located in an unusually humid location, a dehumidifier can be used to maintain the humidity within an

acceptable range. Refer to the “Specifications” section of this user’s guide for the operating and storage humidity specifications.

Power Protection

The greatest threats to a system’s supply of power are power loss, power spikes, and power surges caused by electrical storms, which interrupt system operation and/or damage system components. To protect your system, always properly ground power cables and one of the following devices.

■ **Surge Protector**

Surge protectors are available in a variety of types and usually provide a level of protection proportional with the cost of the device. Surge protectors prevent voltage spikes from entering a system through the AC power cord. Surge protectors, however, do not offer protection against brownouts, which occur when the voltage drops more than 20 percent below the normal AC line voltage level.

■ **Line Conditioner**

Line conditioners go beyond the overvoltage protection of surge protectors. Line conditioners keep a system’s AC power source voltage at a fairly constant level and, therefore, can handle brownouts. Because of this added protection, line conditioners cost more than surge protectors. However, line conditioners cannot protect against a complete loss of power.

■ **Uninterruptible Power Supply**

Uninterruptible power supply (UPS) systems offer the most complete protection against variations on power because they use battery power to keep the server running when AC power is lost. The battery is charged by the AC power while it is available, so when AC power is lost, the battery can provide power to the system for a limited amount of time, depending on the UPS system.

UPS systems range in price from a few hundred dollars to several thousand dollars, with the more expensive units allowing you to run larger systems for a longer period of time when AC power is lost. UPS systems that provide only 5 minutes of battery power let you conduct an orderly shutdown of the system, but are not intended to provide continued operation. Surge protectors should be used with all UPS systems, and the UPS system should be Underwriters Laboratories (UL) safety approved.

Chapter 1

Introduction

■ Overview

The KPC-1570 Panel PCs is supporting Intel® BayTrail Processors. Featured are DDR3L SODIMM, Storage includes a 2.5" SATA hard drive or a solid-state drive (SSD), and slim optical drive. Supported interfaces include 2x GbE LAN, HD audio, 2x COM, 4x USB 2.0 ports, 1x USB 3.0, VGA and HDMI, thus easily meeting a broad range of customer requirements. The KPC series provide a compact, high performance human-machine interface, with optimal shock, vibration and temperature resistance for tough industrial demands.

Checklist

- KPC-1570
- Power Adapter
- Power Cord
- Driver CD
- Quick installation Guide
- Optional VESA Mounting Kit
- Optional wireless LAN

Features

- 15" LCD Display with 1024x768 resolution
- Intel® BayTrail processors
- Intel® HD Graphics
- DDR3 800/1066MHz memory support up to 4GB
- 1x HDMI, 1x VGA
- 2x GbE, 2x COMs, 4x USB 2.0, 1x USB 3.0, 1x Mini-PCIe slot
- Fanless design

■ Product Specifications

CPU Support	Intel® Atom™ BayTrail processors
Memory	1x Single Channel DDR3L SODIMM support (4GB max)
BIOS	AMI Plug & Play SPI BIOS
Graphic	Intel® HD Graphics
Display Size	15 inch, 4:3
Resolution	1024 x 768
Backlight	LED
Contrast Ratio	600:1 (typical)
Brightness	350cd/m ² (typical)
Touch Sensor	5-wire resistive touch sensor
External Display	1x HDMI 1x VGA
LAN	2x Gigabit Ethernet (Realtek RTL8111G) PXE/WOL supported
Audio	Realtek ALC662 HD Codec w/ 2W Audio Amplifier Mic-In, Line-In, Line-Out Supported
Storage	1x 2.5" SATA HDD or SSD space
USB	4 x USB 2.0 1x USB 3.0
COM	2x COM ports with RS-232/422/485 selection supported
Expansion slot	1x Mini-PCIe slot
Hardware Monitor	Operating voltage, CPU temperature
Watchdog Timer	1-255 step, can be set with software on Super I/O
Power	DC 12V Input
OS Support	Windows 7
Dimensions	KPC-1570:410mm x 315 mm x 58mm (WxDxH)
Environment	Operation Temp: 0°C to 60°C (CF, SSD), 0°C to 50°C (2.5" HDD) Storage Temp.: 0°C to 70°C, Humidity: 0% - 95%
Certification	CE, FCC Class A

Table 1 KPC-1570 product specifications

■ System tour

Refer to the diagrams below to identify the components of the system.

■ 1570 I/Os



Figure 1 I/Os

USB

The USB (Universal Serial Bus) port is compatible with USB devices such as keyboards, mouse devices, cameras, and hard disk drives. USB allows many devices to run simultaneously on a single computer, with some peripheral acting as additional plug-in sites or hubs.

Power Switch

The power switch allows powering ON and OFF the system.

Ethernet

The eight-pin RJ-45 LAN port supports a standard Ethernet cable for connection to a local network.

Power Input

The supplied power adapter converts AC power to DC for use with this jack. Power supplied through this jack supplies power to the PC. To prevent damage to the PC, always use the supplied power adapter.

DP

DP is a display interface used to connect a video source to a display device such as a computer monitor or a television set.

HDMI

HDMI connector for display output

VGA

D-Sub 15 pin VGA connector for display output

COM

D-Sub 9 pin connector for RS-232/422/485 connection

Line Out (Green)

The stereo headphone jack is used to connect the system's audio out signal to amplified speakers or headphones.

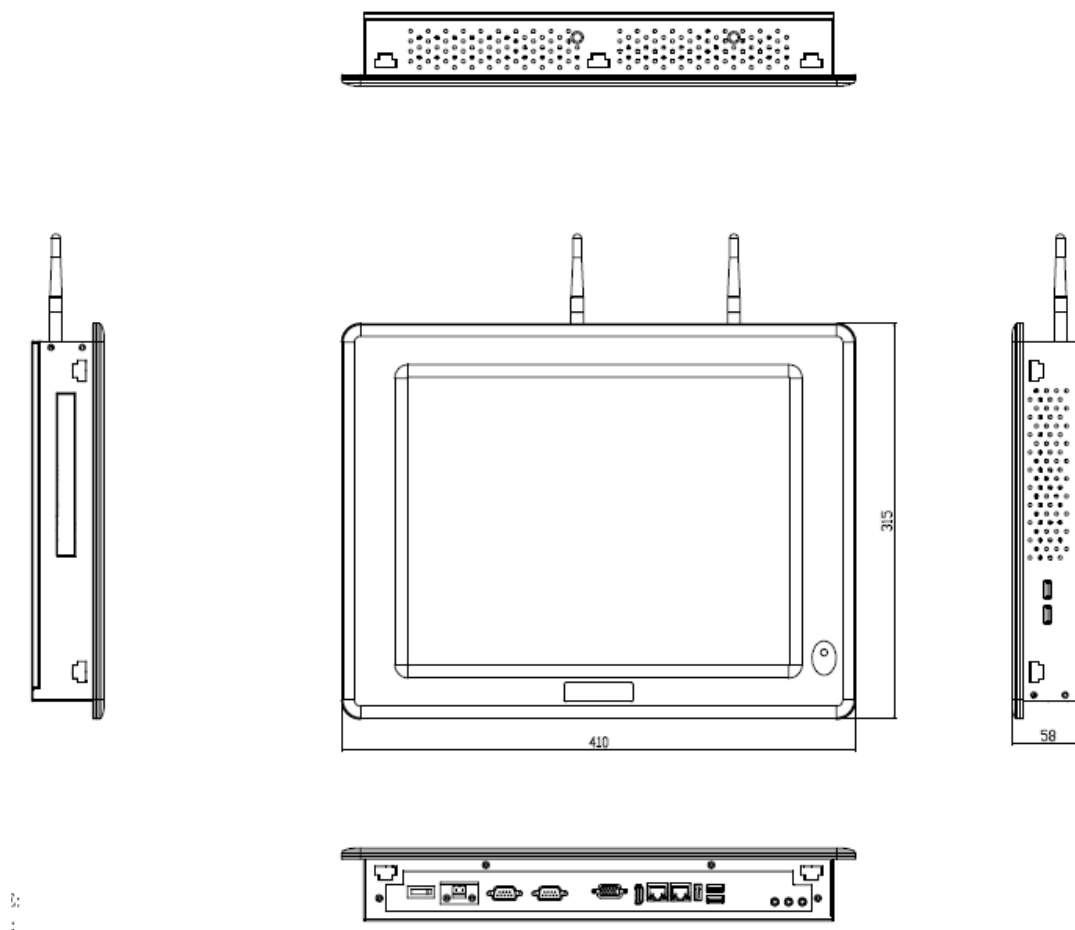
MIC-IN (Pink)

The microphone jack is designed to connect the microphone used for video conferencing, voice narrations, or simple audio recordings.

Line-IN (Blue)

The Line-in jack is designed to take input from a higher-powered sound source.

Mechanical Dimensions



KPC-1570:410 x 315 x 58 mm (W x D x H)

Figure 2 Mechanical Dimensions

Chapter 2

Getting Started

■ Setting up your PC

■ Connecting the monitor

Connect the VGA/ HDMI cable from your display to the VGA/ HDMI port.

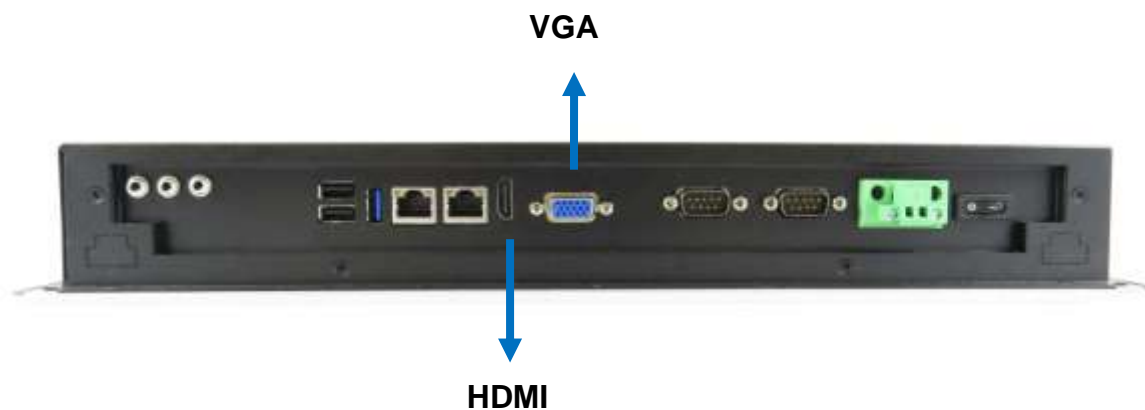


Figure 3 VGA/ HDMI

■ Connecting USB mouse & keyboard

Your KPC-1570 does not come with a keyboard and mouse, but you can use any USB keyboard or mouse with your computer.

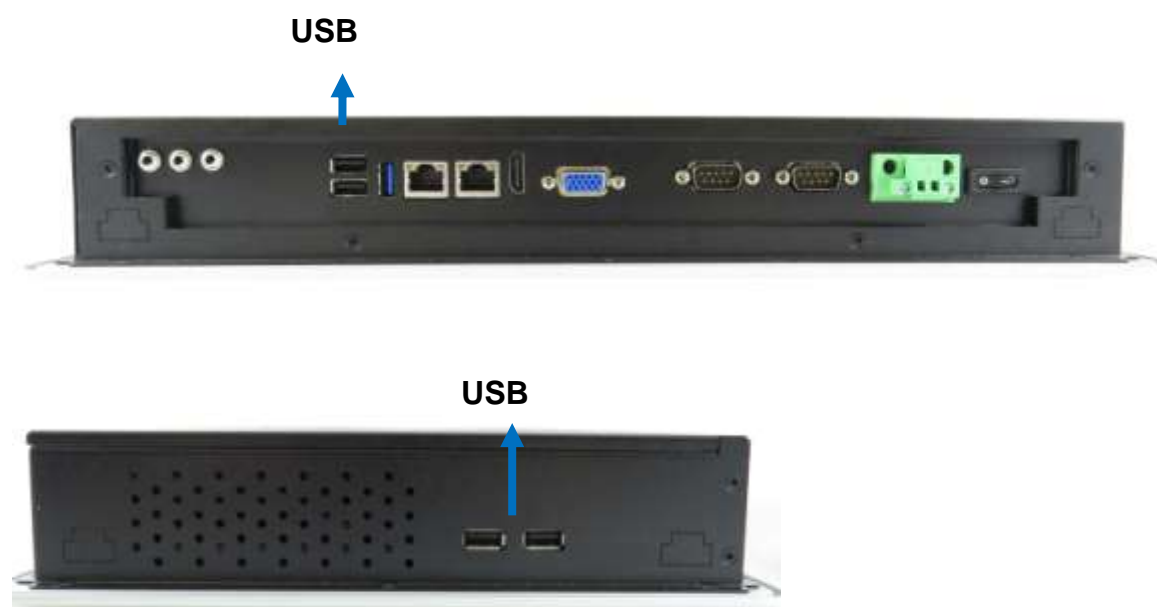


Figure 4 Connect USB mouse & keyboard

NOTE



Using a third-party USB mouse or keyboard may require software drivers. Check the manufacturer's website for the latest software drivers.

■ Connecting to a network device

Connect one end of a network cable to the LAN port on the system rear panel and the other end to a hub or switch.

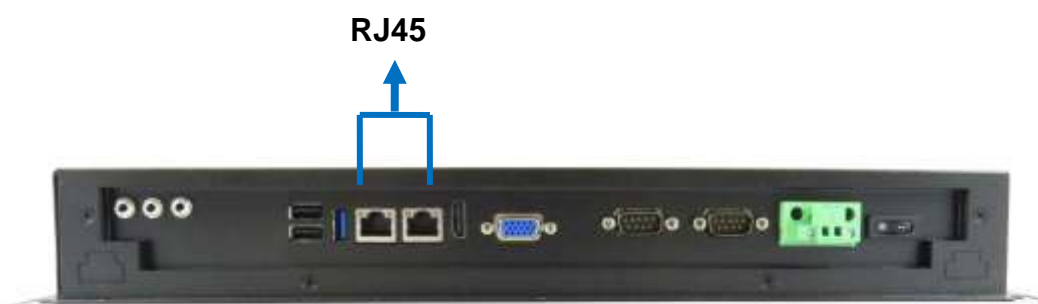


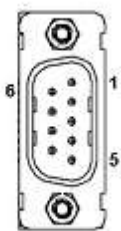
Figure 5 RJ45 connector

■ **COM ports**

COM ports with the pin definitions.



COM1~2 RS-232/422/485 Port 1 Wafer



Pin	RS-232	RS-422	Half Duplex RS-485	Full Duplex RS-485
1	DCD	TX-	DATA-	TX-
2	DSR	N/A	N/A	N/A
3	RXD	TX+	DATA+	TX+
4	RTS	N/A	N/A	N/A
5	TXD	RX+	N/A	RX+
6	CTS	N/A	N/A	N/A
7	DTR	RX-	N/A	RX-
8	RI	N/A	N/A	N/A
9	GND	GND	GND	GND
10	+5V	+5V	+5V	+5V

Figure 6 COM ports

■ **Turning on the system**

1. Connect the power adapter cable to the DC jack (DC IN) of the KPC-1570
2. Connect the power cable to the power adapter
3. Connect the power cable to a power outlet
4. Press the power switch on the front panel to turn on the system



Figure 7 Turning on the system

■ VESA Mounting

The product comes with VESA FDMI 75/100 standard mounting holes as shown below. Use 4 screws with the appropriate length for your mounting bracket.

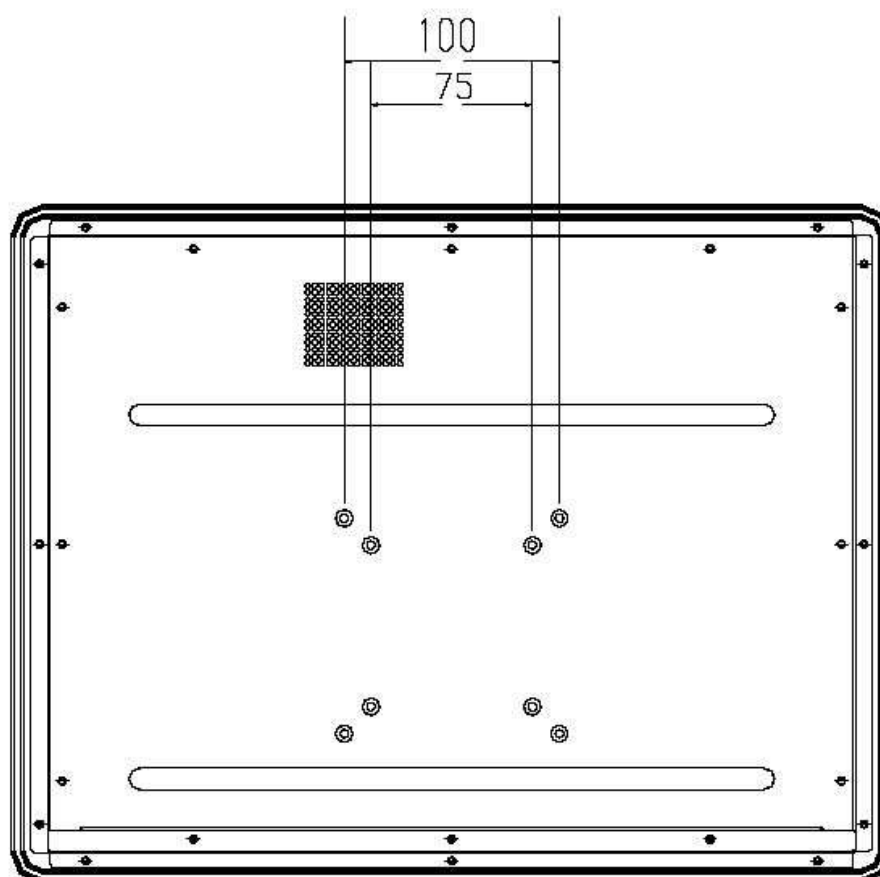


Figure 8 VESA Mounting Hole Locations

NOTE



To fasten the metal shelf, your monitor must comply with VESA75 or VESA100 standard. The VESA mounting kit is optional.

■ Panel Mounting

The Panel PC can be panel mounted and comes with brackets and screws for this purpose. The required cutout for panel mounting and maximum panel thickness is shown below.

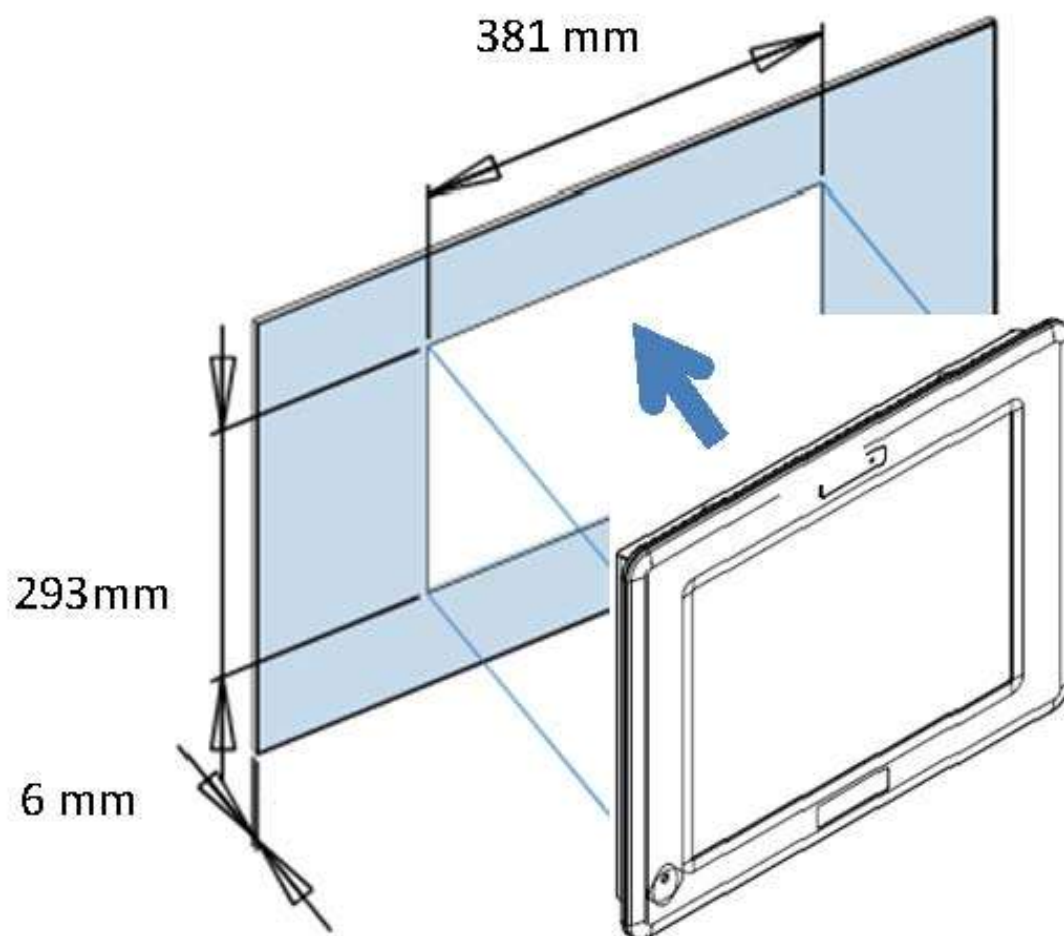
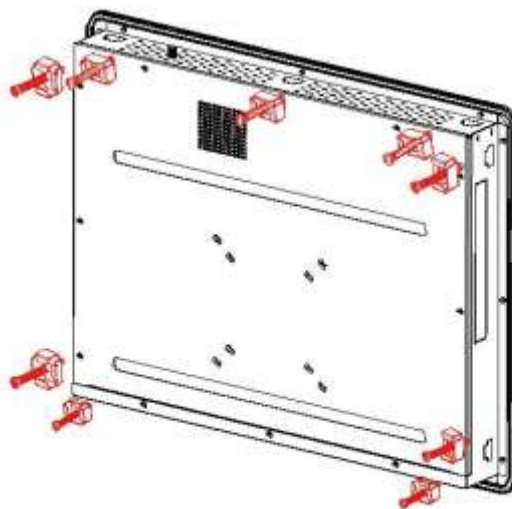


Figure 9 Panel Mount Cut-out hole and maximum panel thickness

- Below are the demonstrations of how to do panel mounting.

Step1

Tightening the screws as shown right.



Step2

Done

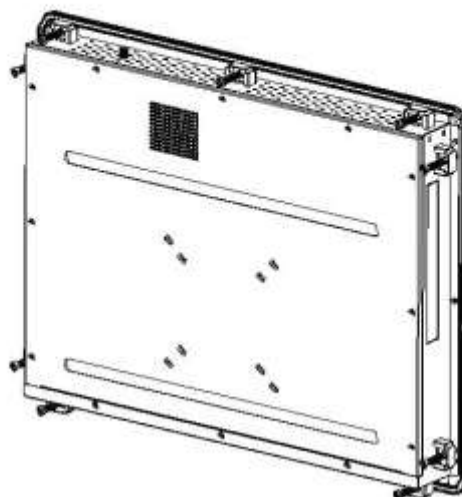


Figure 10 Panel Mounting

Chapter 3

AMI BIOS Setup

■ Overview

This chapter provides a description of the AMI BIOS. The BIOS setup menus and available selections may vary from those of your product. For specific information on the BIOS for your product, please contact us.



NOTE: The BIOS menus and selections for your product may vary from those in this chapter. For the BIOS manual specific to your product, please contact us

AMI's ROM BIOS provides a built-in Setup program, which allows the user to modify the basic system configuration and hardware parameters. The modified data will be stored in a battery-backed CMOS, so that data will be retained even when the power is turned off. In general, the information saved in the CMOS RAM will not need to be changed unless there is a configuration change in the system, such as a hard drive replacement or when a device is added.

It is possible for the CMOS battery to fail, which will cause data loss in the CMOS only. If this happens you will need to reconfigure your BIOS settings.

■ Main Menu

The BIOS Setup is accessed by pressing the DEL key after the Power-On Self-Test (POST) memory test begins and before the operating system boot begins. Once you enter the BIOS Setup Utility, the Main Menu will appear on the screen. The Main Menu provides System Overview information and allows you to set the System Time and Date. Use the “<” and “>” cursor keys to navigate between menu screens.

Table 2 BIOS Main Menu

BIOS SETUP UTILITY				
Main	Advanced	Boot	Security	Save & Exit
Product Information				
Product Name		KPC-1570		
BIOS Version		R0.0A (x64)		
BIOS Build Date		05/26/2014		
ME FW Version		01.01.00.1089		
CPU Information		Intel® Celeron® CPU J1900@1.99GHz		
Microcode Revision		809		
Processor Cores		4		
Memory Information				
Total Size		4096 MB (DDR3L)		→ ← Select Screen
Frequency		1333 MHz		↑↓ Select Item
System date		[Mon 05/26/2014]		Enter: Select
System time		[13:23:12]		+ - Change Opt.
Access Level		Administrator		F1: General Help
				F2: Previous Values
				F3: Optimized Defaults
				F4 Save & Exit
				ESC Exit
Version 2.16.1242. Copyright (C) 2013, American Megatrends, Inc.				

■ Advanced Menu

Table 3 Advanced Menu

BIOS SETUP UTILITY	
Main	Advanced
Onboard LAN1 Controller	[Enabled]
Onboard LAN1 Boot	[Disabled]
Onboard LAN2 Controller	[Enabled]
Onboard LAN2 Boot	[Disabled]
Audio Controller	[Enabled]
> Display Configuration > Power Management Configuration > CPU Advanced Configuration > SATA Configuration > USB Configuration > Super IO Configuration > H/W Monitor	
	→ ← Select Screen ↑↓ Select Item Enter: Select +- Change Opt. F1: General Help F2: Previous Values F3: Optimized Defaults F4 Save & Exit ESC Exit
Version 2.16.1242. Copyright (C) 2013, American Megatrends, Inc.	

Onboard LAN 1 Controller

Options: Disabled, Enabled

Onboard LAN 1 Boot

Options: Disabled, Enabled

Onboard LAN 2 Controller

Options: Disabled, Enabled

Onboard LAN 2 Boot

Options: Disabled, Enabled

Audio Controller

Options: Disabled, Enabled

Table 4 Advanced Menu – Display Configuration

BIOS SETUP UTILITY					
Main	Advanced	Boot	Security	Server Mgmt	Save & Exit
Display Configuration					
Primary Display			[Auto]		
UMA Frame Buffer Size			[256 MB]		
DVMT Pre-Allocated			[64M]		
DVMT Total Gfx Mem			[256 M]		
Primary IGFX Boot Display			[VBIOS Default]		→ ← Select Screen
Active LVDS			[Disabled]		↑↓ Select Item
Display Configuration					
Primary Display			[Auto]		Enter: Select
UMA Frame Buffer Size			[256 MB]		+ - Change Opt.
DVMT Pre-Allocated			[64M]		F1: General Help
					F2: Previous Values
					F3: Optimized Defaults
					F4 Save & Exit
					ESC Exit
Version 2.16.1242. Copyright (C) 2013, American Megatrends, Inc.					

Primary Display

Options: Auto, IGD

UMA Frame Buffer Size

Options: 128MB, 256MB, 512MB

DVMT Pre-Allocated

Options: 64M, 96M, 128M, 160M, 192M, 224M, 256M, 288M, 320M, 352M, 384M, 416M, 448M, 480M, 512M

DVMT Total Gfx Mem

Options: 128M, 256M, MAX

Primary IGFX Boot Display

Options: VBIOS Default, CRT, HDMI, LVDS

Active LVDS

Options: Disabled, Enabled

LVDS Panel Type

Options: 640x480 18Bit 1CH ; 800x480 18Bit 1CH; 800x600 18Bit 1CH; 1024x768 18Bit 1CH; 1440x900 18Bit 1CH; 1600x900 18Bit 1CH;

LVDS Backlight Control Mode

Options: Voltage ; PWM

LVDS Backlight Control -Voltage

Options: 0.0V ; 0.5V ; 1.0V ; 1.5V ; 2.0V ; 2.5V ; 3.0V ; 3.5V ; 4.0V ; 4.5V ; 5.0V

Table 5 Advanced Menu –Power Management Configuration

BIOS SETUP UTILITY					
Main	Advanced	Boot	Security	Server Mgmt	Save & Exit
Power Management Configuration					
ACPI Sleep State			[S3 (Suspend to RAM)]		
Restore AC Power Loss			[Power Off]		
Power Saving Mode			[Disabled]		
Resume Event control					
Resume From S3 By PS/2 Keyboard			[Disabled]		
Resume From S3 By PS/2 Mouse			[Disabled]		
					→ ← Select Screen ↑↓ Select Item Enter: Select +- Change Opt. F1: General Help F2: Previous Values F3: Optimized Defaults F4 Save & Exit ESC Exit
Version 2.16.1242. Copyright (C) 2013, American Megatrends, Inc.					

ACPI Sleep State

Options: Suspend Disabled, S1 (CPU Stop Clock), S3 (Suspend to RAM)

Restore AC Power Loss

Options: Power Off, Power On, Last State

Resume From S3 By PS/2 Keyboard

Options: Disabled, Enabled

Resume From S3 By PS/2 Mouse

Options: Disabled, Enabled

Resume By PCIE Device

Options: Disabled, Enabled

Resume By RTC Alarm

Options: Disabled, Enabled

EUP Power Saving Mode

Options: Disabled, Enabled

Watchdog Timer Configuration■ **WDT Function** [Disabled]

Options: Disabled, Enabled

Table 6 Advanced Menu –CPU Advanced Configuration

BIOS SETUP UTILITY	
Main	Advanced
CPU Chipset Configuration	
EIST	[Enabled]
Limit CPUID Maximum	[Disabled]
Execute Disable Bit	[Enabled]
Intel Virtualization Technology	[Disabled]
→ ← Select Screen ↑↓ Select Item Enter: Select +- Change Opt. F1: General Help F2: Previous Values F3: Optimized Defaults F4 Save & Exit ESC Exit	
Version 2.16.1242. Copyright (C) 2013, American Megatrends, Inc.	

EIST

Options: Disabled, Enabled

Limit CPUID Maximum

Options: Disabled, Enabled

Execute Disable Bit

Options: Disabled, Enabled

Intel® Virtualization Tech

Options: Disabled, Enabled

Table 7 Advanced Menu –SATA Configuration

BIOS SETUP UTILITY				
Main	Advanced	Boot	Security	Save & Exit
SATA Controller(s)			→ ← Select Screen	
Serial-ATA (SATA)			↑↓ Select Item	
SATA Mode			Enter: Select	
Serial ATA Port 1			+- Change Opt.	
Port 1			F1: General Help	
mSATA Port 1			F2: Previous Values	
Port 1			F3: Optimized Defaults	
			F4 Save & Exit	
			ESC Exit	
Version 2.16.1242. Copyright (C) 2013, American Megatrends, Inc.				

SATA

Options: Disabled, Enabled

SATA Mode

Options: IDE Mode, AHCI Mode

Port 1

Options: Disabled, Enabled

Table 8 Advanced Menu –USB Configuration

BIOS SETUP UTILITY				
Main	Advanced	Boot	Security	Save & Exit
USB Configuration			→ ← Select Screen	
USB Devices: 1 Keyboard, 2 Hubs			↑↓ Select Item	
Legacy USB Support			Enter: Select	
xHCI Legacy Support			+- Change Opt.	
xHCI hand-off			F1: General Help	
EHCI Hand-off			F2: Previous Values	
USB Mass Storage Driver Support			F3: Optimized Defaults	
XHCI Mode			F4 Save & Exit	
			ESC Exit	
Version 2.16.1242. Copyright (C) 2013, American Megatrends, Inc.				

Legacy USB Support

Options: Disabled, Enabled, Auto

EHCI hand-off

Options: Disabled, Enabled

Mass Storage Device

Options: Auto, Floppy, Forced FDD, Hard Disk, CD-ROM

Table 9 Advanced Menu – Super IO Configuration

BIOS SETUP UTILITY				
Main	Advanced	Boot	Security	Save & Exit
Super IO Configuration			→ ← Select Screen	
>Serial Port 1 Configuration			↑↓ Select Item	
>Serial Port 2 Configuration			Enter: Select	
			+- Change Opt.	
			F1: General Help	
			F2: Previous Values	
			F3: Optimized Defaults	
			F4 Save & Exit	
			ESC Exit	
Version 2.16.1242. Copyright (C) 2013, American Megatrends, Inc.				

Table 10 Advanced Menu – Super IO Configuration – Serial Port 1 Configuration

BIOS SETUP UTILITY						
Main	Advanced	Boot	Chipset	Power	Security	Exit
Serial Port 1 Configuration					→←: Select Screen ↑↓: Select Item Enter: Select +/-: Change Opt. F1: General Help F2: Previous Values F3: Optimized Defaults F4: Save and Exit ESC: Exit	
Serial Port		[Enabled]				
Device Settings		IO=3F8h ; IRQ=4;				
Change Settings		[Auto]				
Serial Port 1 Type		[RS485]				
RS485 Duplex Mode		[Half Duplex]				
Version 2.16.1242. Copyright (C) 2013, American Megatrends, Inc.						

Serial Port

Options: Disabled, Enabled

Change Settings

Options: Auto,

IO=3F8h; IRQ=4;

IO=3F8h; IRQ=3, 4, 5, 6, 7, 9, 10, 11, 12;

IO=2F8h; IRQ=3, 4, 5, 6, 7, 9, 10, 11, 12;

IO=3E8h; IRQ=3, 4, 5, 6, 7, 9, 10, 11, 12;

IO=2E8h; IRQ=3, 4, 5, 6, 7, 9, 10, 11, 12;

Serial Port Type

Options: RS232, RS422, RS485

RS485 Duplex Mode

Options: Full Duplex; Half Duplex

Table 11 Advanced Menu – Super IO Configuration – Serial Port 2 Configuration

BIOS SETUP UTILITY				
Main	Advanced	Boot	Security	Save & Exit
Serial Port 2 Configuration				
Serial Port Device Settings		[Enabled] IO=2F8h; IRQ=3;		
Change Settings Serial Port 2 Type		[Auto] [RS485]		
RS485 Duplex Mode		[Half Duplex]		
				→ ← Select Screen ↑↓ Select Item Enter: Select +- Change Opt. F1: General Help F2: Previous Values F3: Optimized Defaults F4 Save & Exit ESC Exit
Version 2.16.1242. Copyright (C) 2013, American Megatrends, Inc.				

Serial Port

Options: Disabled, Enabled

Change Settings

Options: Auto,

IO=2F8h; IRQ=3;

IO=3F8h; IRQ=3, 4, 5, 6, 7, 9, 10, 11, 12;

IO=2F8h; IRQ=3, 4, 5, 6, 7, 9, 10, 11, 12;

IO=3E8h; IRQ=3, 4, 5, 6, 7, 9, 10, 11, 12;

IO=2E8h; IRQ=3, 4, 5, 6, 7, 9, 10, 11, 12

Serial Port Type

Options: RS232, RS422, RS485

RS485 Duplex Mode

Options: Full Duplex; Half Duplex

Table 12 Advanced Menu –H/W Monitor

BIOS SETUP UTILITY				
Main	Advanced	Boot	Security	Save & Exit
PC Health Status CPU Warning Temperature [Disabled] >CPU FAN Configuration CPU Temperature : +40 C System Temperature : +39 C CPU Fan Speed N/A +VCORE : +0.773 V +VIN : +12.268 V +5V : +5.066 V +VMEN : +1.357 V				→ ← Select Screen ↑↓ Select Item Enter: Select +- Change Opt. F1: General Help F2: Previous Values F3: Optimized Defaults F4 Save & Exit ESC Exit
Version 2.16.1242. Copyright (C) 2013, American Megatrends, Inc.				

CPU Warning Temperature

Options: Disabled, 80, 85, 90, 95

CPU FAN Configuration

FAN Setting [Manual Mode]

Options: Manual Mode, Auto Mode

Manual Duty 255

■ Boot Menu

Table 13 Boot Menu

BIOS SETUP UTILITY				
Main	Advanced	Boot	Security	Save & Exit
Boot Configuration				
Full Screen LOGO Display		[Disabled]		
Setup Prompt Timeout		1		
Bootup NumLock State		[On]		
Keyboard Detect Warning		[Enabled]		
CSM Support		[Enabled]		
Boot Option Filter		[Legacy Only]		
Boot Option Priorities				
Boot Configuration				
Full Screen LOGO Display		[Disabled]		
→ ← Select Screen ↑↓ Select Item Enter: Select +- Change Opt. F1: General Help F2: Previous Values F3: Optimized Defaults F4 Save & Exit ESC Exit				
Version 2.16.1242. Copyright (C) 2013, American Megatrends, Inc.				

Full Screen LOGO Display

Options: Disabled, Enabled

Bootup Numlock State

Options: On, Off

Keyboard Detect Warning

Options: Disabled, Enabled

CSM Support

Options: Disabled, Enabled

Boot Option Filter

Options: UEFI and Legacy, Legacy only, UEFI only

■ Security Menu

Table 14 Security Menu

BIOS SETUP UTILITY				
Main	Advanced	Boot	Security	Save & Exit
Password Description If ONLY the Administrator's password is set, then this only limits access to Setup and is only asked for when entering Setup If ONLY the User's password is set, then this is a power on password and must be entered to boot or enter Setup. In Setup the User will have Administrator rights The password length must be in the following range: Minimum Length 3 Maximum length 20 Administrator Password User Password HDD Security Configuration: HDD 0: WDC WD1600BE			→ ← Select Screen ↑↓ Select Item Enter: Select +- Change Opt. F1: General Help F2: Previous Values F3: Optimized Defaults F4 Save & Exit ESC Exit	
Version 2.16.1242. Copyright (C) 2013, American Megatrends, Inc.				

■ Save & Exit Menu

Table 15 Save & Exit Menu

BIOS SETUP UTILITY				
Main	Advanced	Boot	Security	Save & Exit
Save Changes and Reset			→ ← Select Screen	
Discard Changes and Reset			↑↓ Select Item	
Save Options			Enter: Select	
Save Changes			+- Change Opt.	
Discard Changes			F1: General Help	
Restore Defaults			F2: Previous Values	
			F3: Optimized Defaults	
			F4 Save & Exit	
			ESC Exit	
Version 2.16.1242. Copyright (C) 2013, American Megatrends, Inc.				

Save Changes and Exit

Exit system setup after saving the changes. Once you are finished making your selections, choose this option from the Exit menu to ensure the values you selected are saved to the CMOS RAM. The CMOS RAM is sustained by an onboard backup battery and stays on even when the PC is turned off. When you select this option, a confirmation window appears. Select [Yes] to save changes and exit.

Discard Changes and Exit

Exit system setup without saving any changes. Select this option only if you do not want to save the changes that you made to the Setup program. If you made changes to fields other than system date, system time, and password, the BIOS asks for a confirmation before exiting.

Discard Changes

Discards changes done so far to any of the setup values. This option allows you to discard the selections you made and restore the previously saved values. After selecting this option, a confirmation appears. Select [Yes] to discard any changes and load the previously saved values.

Load Optimal Defaults

Load Optimal Default values for all the setup values. This option allows you to load optimal default values for each of the parameters on the Setup menus, which will provide the best performance settings for your system. The F9 key can be used for

this operation.

Load Failsafe Defaults

Load Optimal Default values for all the setup values. This option allows you to load failsafe default values for each of the parameters on the Setup menus, which will provide the most stable performance settings. The F8 key can be used for this operation.

Chapter 4

Driver Installation

If your KPC-1570 does not come with an operating system pre-installed, you will need to install an operating system and the necessary drivers to operate it. After you have finished assembling your system and connected the appropriate power source, power it up using the power supply and install the desired operating system. You can download the drivers for the KPC-1570 from our website and install as instructed there. For other operating systems, please contact us.