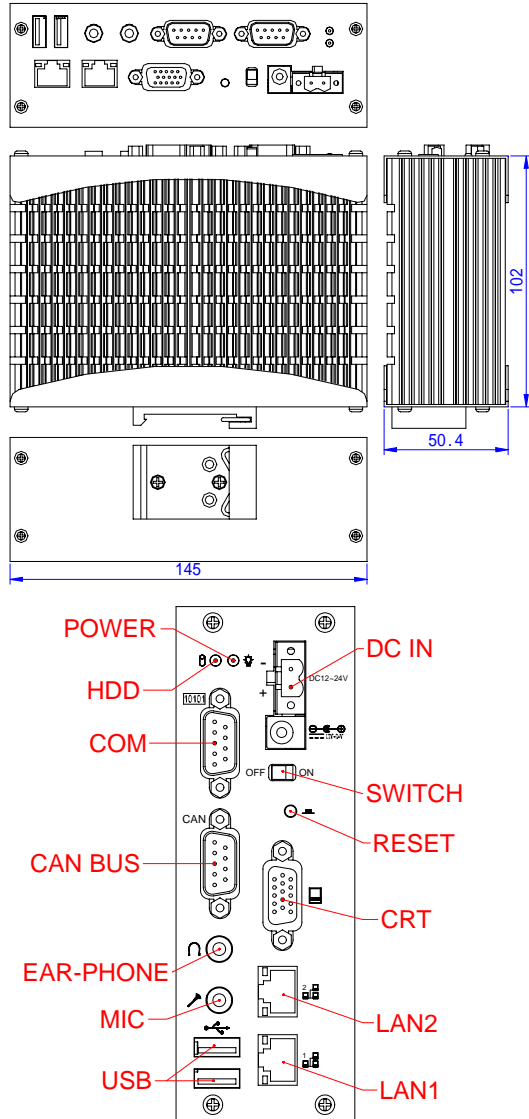


1. Brief

The FX5312 is a compact size embedded system with Din-Rail mounting and VIA Eden processor board inside. This user's quick reference provides the I/O outlets description and their pin assignment.

2. Dimensions (in mm) and Front Panel Information



3. Packing List

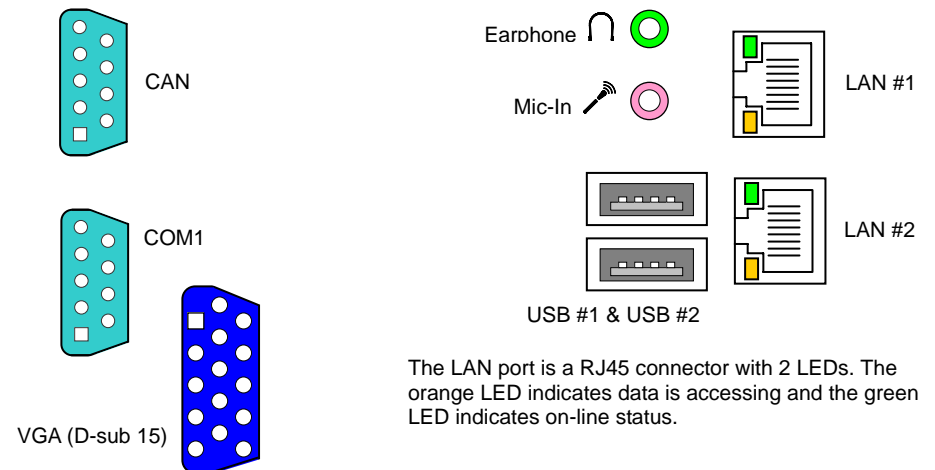
- 1 FX5312 embedded system.
- 1 2.5" SATA hard disk installation kit with 6 screws.
- 1 Din-Rail mounting kit with 2 screws.
- 1 2-pin apartable terminal block.
- 1 compact disc includes software utility.

4. Features

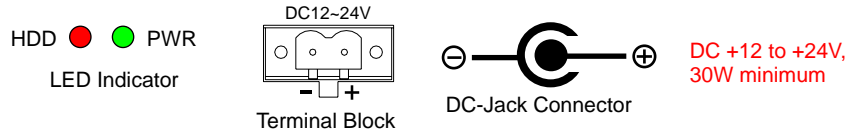
- * **Processor Board**
VIA Eden (V4) 1GHz low power processor with 1GB DDR2 RAM.
- * **I/O Outlets**
Two 10/100 base-TX Ethernet ports.
2 USB ports (V2.0), 1 RS232, and 1 CAN Bus ports.
1 VGA interface, 1 Earphone and 1 Microphone connectors.
1 DC-Jack and 1 terminal block for DC power input.
1 power LED, 1 HDD/CF access LED, and 4 LAN LEDs.
1 Push button reset switch.
- * **Storage Bay**
1 CompactFlash socket for CompactFlash modules or MicroDrives.
One 2.5" SATA hard disk space.
- * **Power requirement**
+12 ~ +24V DC, 1.26A maximum (0.82A typical) with DC 19V input.
- * **Dimensions**
102.0mm(D) x 50.4mm(W) x 145mm(H)

5. I/O outlets and LED Indicators

A. Serial Port, USB, Audio, LAN Connectors, and LED Indicators



B. Power Connector and LED Indicators

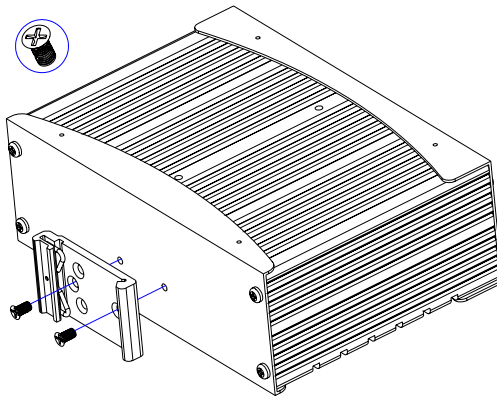


6. Software Configuration and Driver Installation

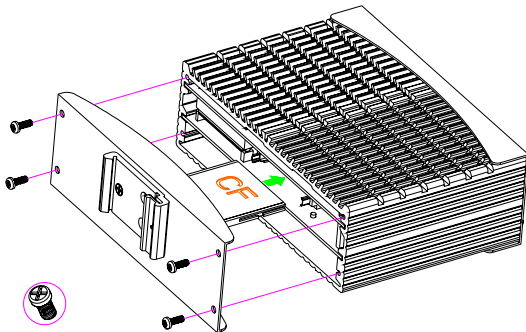
Please refer to the driver installing documentaion in the included Compact Disc for installing what device driver you need. If you need to change the system settings or configurations of I/O ports, Please refer to User's Manual (also in the included Compact Disc) for details.

7. Installing the Din-Rail Adapter on FX5312

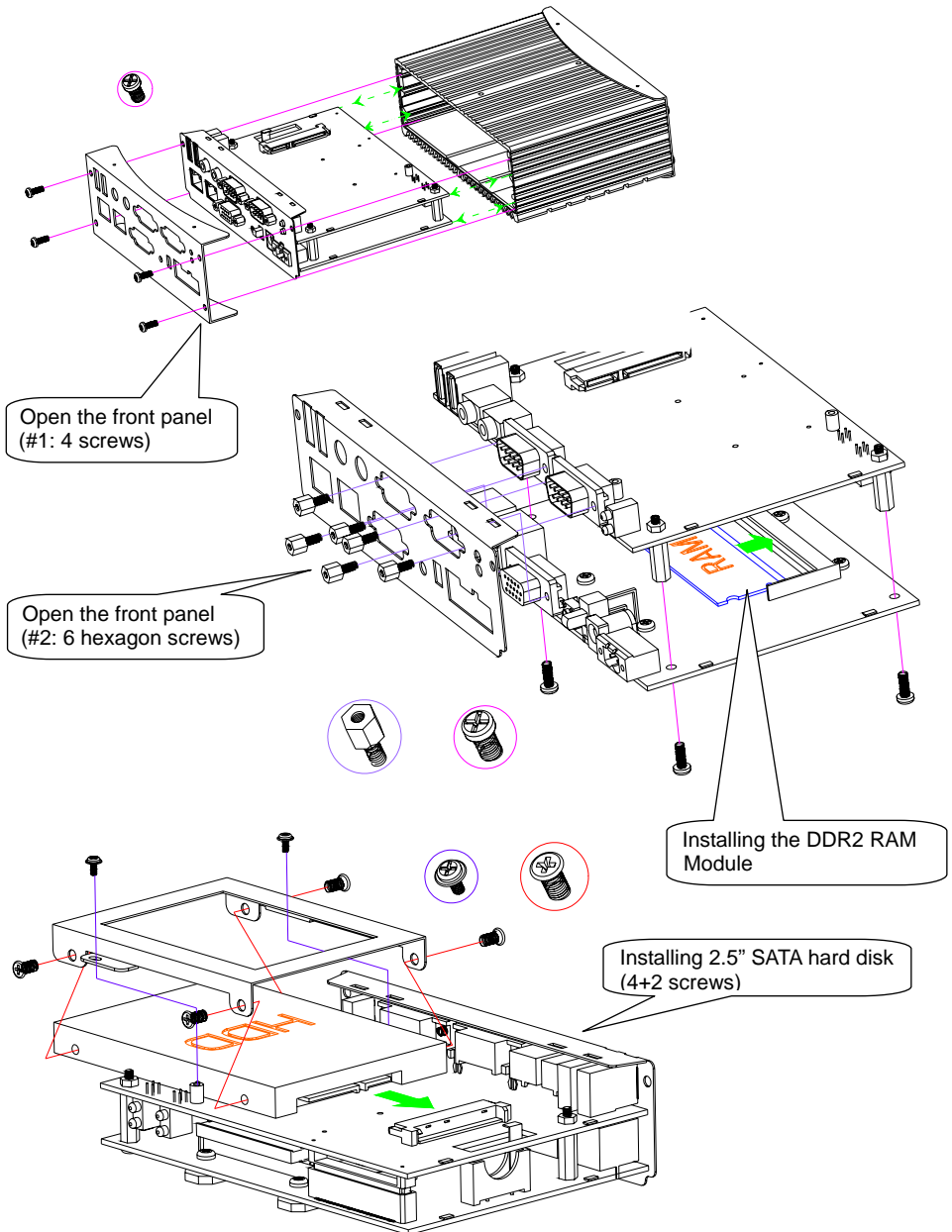
Please refer to the right figure for installing the FX5312 with Din-Rail adapter.



8. Installing CompactFlash into FX5312



9. Installing/Changing SATA Hard Disk and DDR2 RAM Module on FX5312



End of Document