

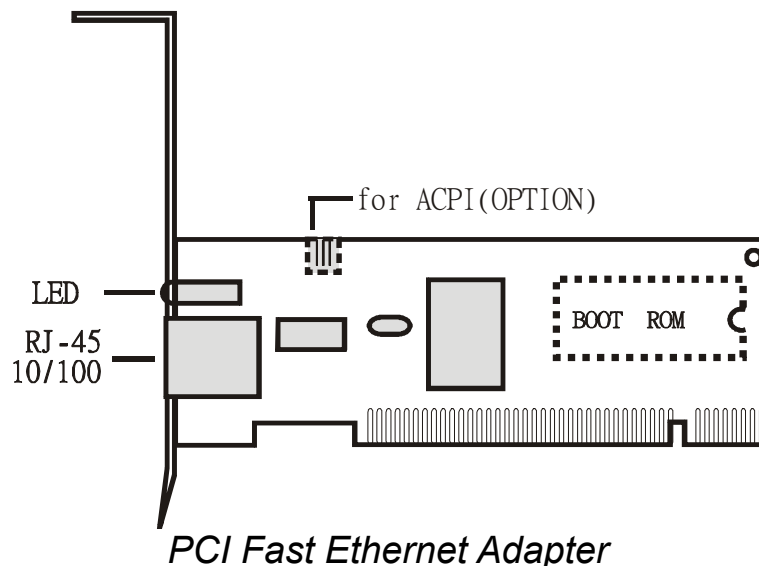
# **10/100Mbps Fast Ethernet Adapter**

## **User Guide**

## Product Description

The 100Base-TX has one RJ-45 connector and two LED indicators.

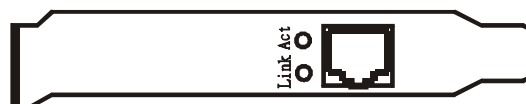
- Complete compatibility with the 10Base-T and 100base-TX standards.
- Automatically senses media type.
- Full-Duplex Ethernet for 20Mbps and 200Mbps throughput.
- Automatic configuration through the PCI BIOS.
- Programmable PCI burst size.
- Provides 32-bit Bus Mastering data transfers.
- Diagnostic LINK, Active LEDs for quick troubleshooting.
- Support flow control.
- (Option) 32K, 64K EPROMs for Remote BootROM.
- (Option) Support Wake On LAN function.
- (Option) Support ACPI, PCI power management.



*PCI Fast Ethernet Adapter*

## LED Indicators

The adapter provides two LED indicators for monitoring network conditions. This section describes the function of each LED.



*LED indicators*

Link: light up when the network connect correctly

Act: flashing when the packet transmit/receive through the RJ-45.

## **Specifications**

Standards.....:IEEE802.3, 802.3u.  
Bus Type.....:PCI-Bus Revision 2.1.  
Network Interface.....:10Base-T and 100Base-TX .  
Full-Duplex.....:20Mbps and 200Mbps.  
I/O Address.....:Automatically determined  
by PCI BIOS.  
Interrupt(IRQ).....:INTA on PCI slot pin assignment  
Boot ROM Size.....:32K, 64K byte EPROM.(Option)  
Bus Access Method.....:Bus Master.  
Temperature.....:0°C to 55°C (Std Operating)  
32°F to 104°F  
Humidity.....:10% to 90% non condensing  
Dimensions.....:4.72"× 2.36" Non-Bracket or 4.72"× 1.5" Non-Bracket

## **Certification**

Meets FCC Part 15 Class B , CE Mark

## **Hardware Installation**

The section describes the procedure for installing the adapter. Follow the steps listed below to install the PCI LAN adapter

1. Power off your PC and remove its cover.
2. Select an empty PCI slot and insert the adapter.  
*Note: If your card support Wake On LAN, Please Connect the cable to the mother-board. And read the manual of the mother board to know about how to set up the Wake On LAN function.*
3. Connect your adapter to the network using RJ-45.
4. Power on the PC
5. Run diagnostics RSET8139.EXE program to check the adapter of hardware configuration. See the section on "Diagnostic/ Setup program" for more information.
6. Installation the software driver. Refer to the Software Drivers section.

## **Supported Network Drivers**

Novell Netware v3.12, 4.0, 5.0 (included Client/Server drivers)

- Microsoft Windows NT V3.5X, V4.0
- Microsoft Windows 95/95 OSR2/98/98SE/ME
- Microsoft Windows 2000/XP/VISTA
- IBM PCLAN Program.(NetBIOS Driver)
- TCP/IP for SCO UNIX.
- Packet Drivers for FTP TCP/IP, NCSA TCP/IP.

All products or brand names mentioned are trademarks or registered trademarks of their respective companies.

