



Test Fixture Use Guideline For DT00038101



Top View

Program connector

auxiliary power supply

input power supply

Hi: Open on/off pin
Lo: short on/off Pin to ground

High accuracy Vin test point

High accuracy Vo sense test point

Adjust Vo for Module #1/2/3

Adjust frequency & duty cycle

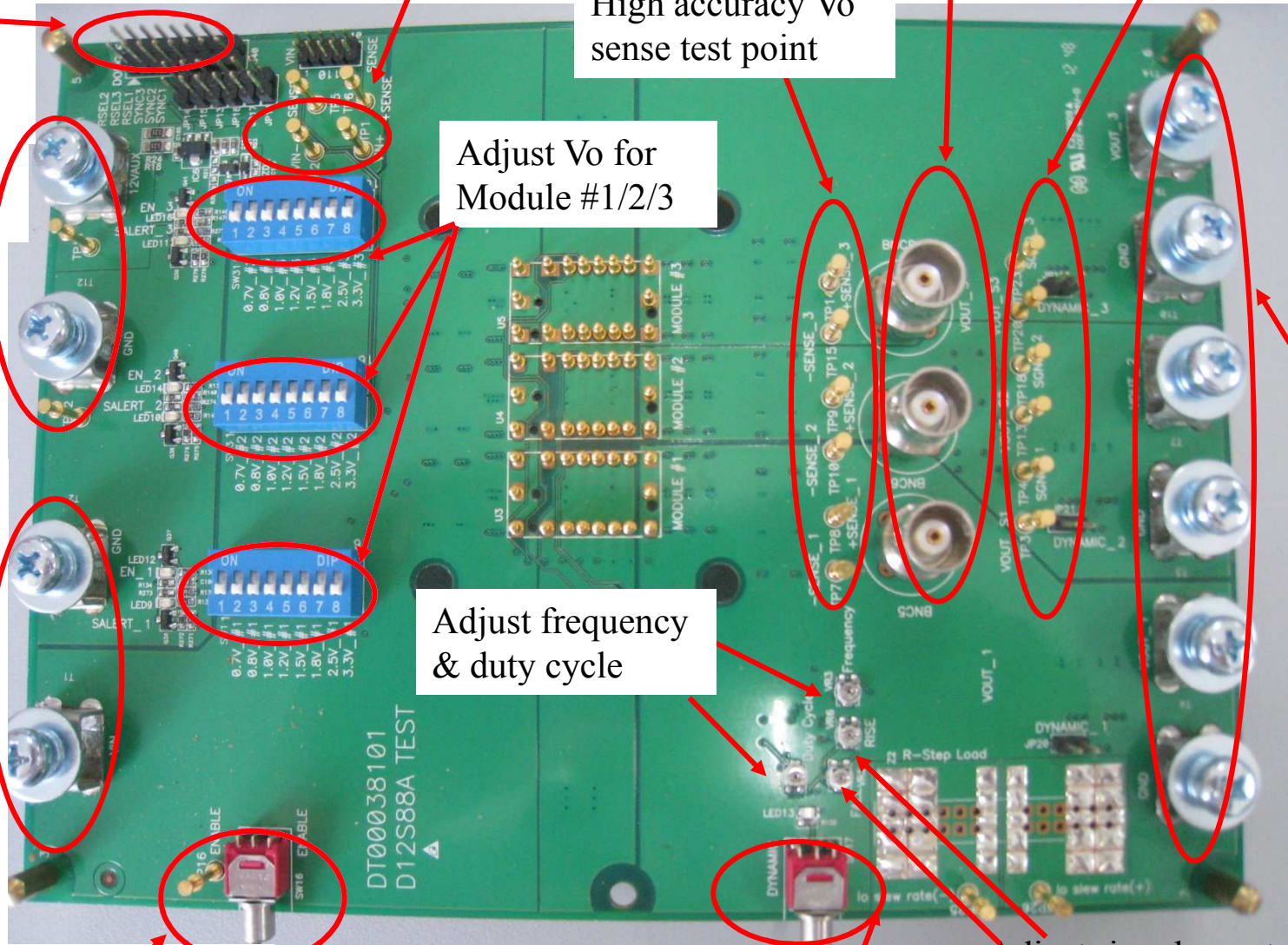
Turn on/off dynamic circuit

Vo ripple noise test terminator

Vo for Eff test point

Output load

Adjust rise slew rate and fall slew rate



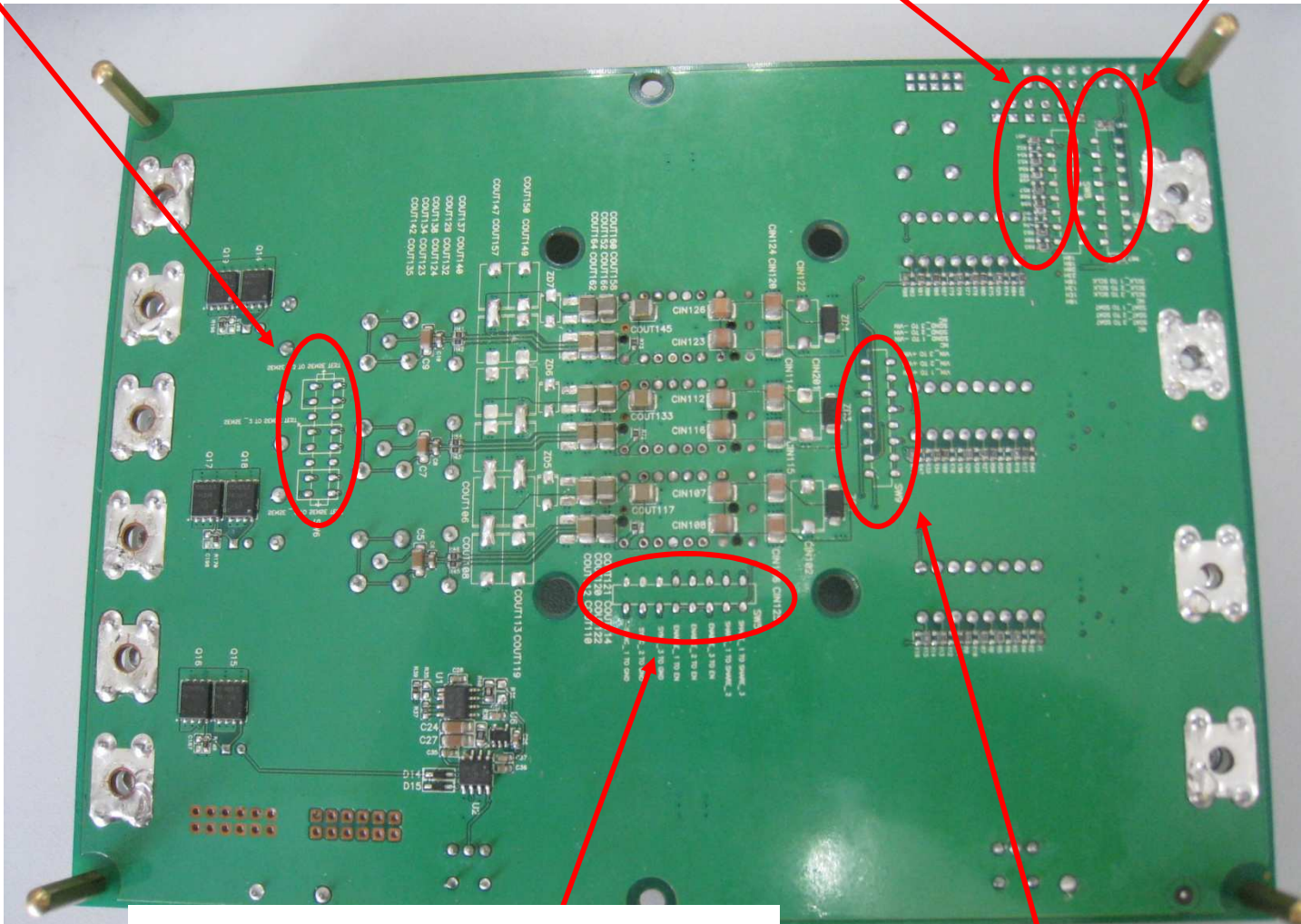


Bottom View

SW6: Sense PIN to Vo PIN

SW8: SET Address by Manual

SW7: SDAT PIN to Dongle
SCLK PIN to Dongle



SW5: SHARE PIN of every module,
Enable PIN to Enable control,
SYNC PIN to GND

SW9: VIN PIN to +VIN SENSE,
GND PIN to -VIN SENSE

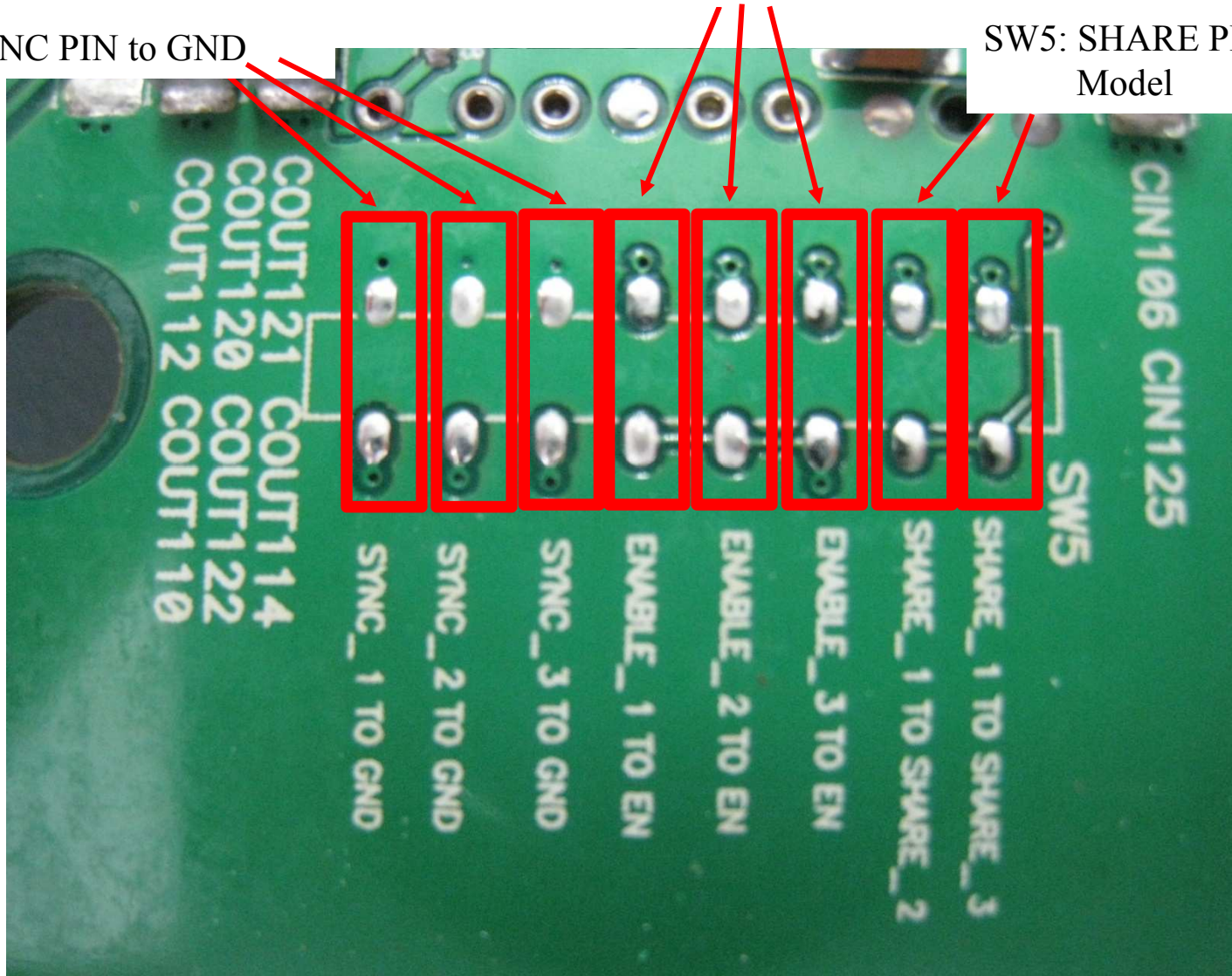


Bottom View

SW5: Enable PIN to Enable control by SW16

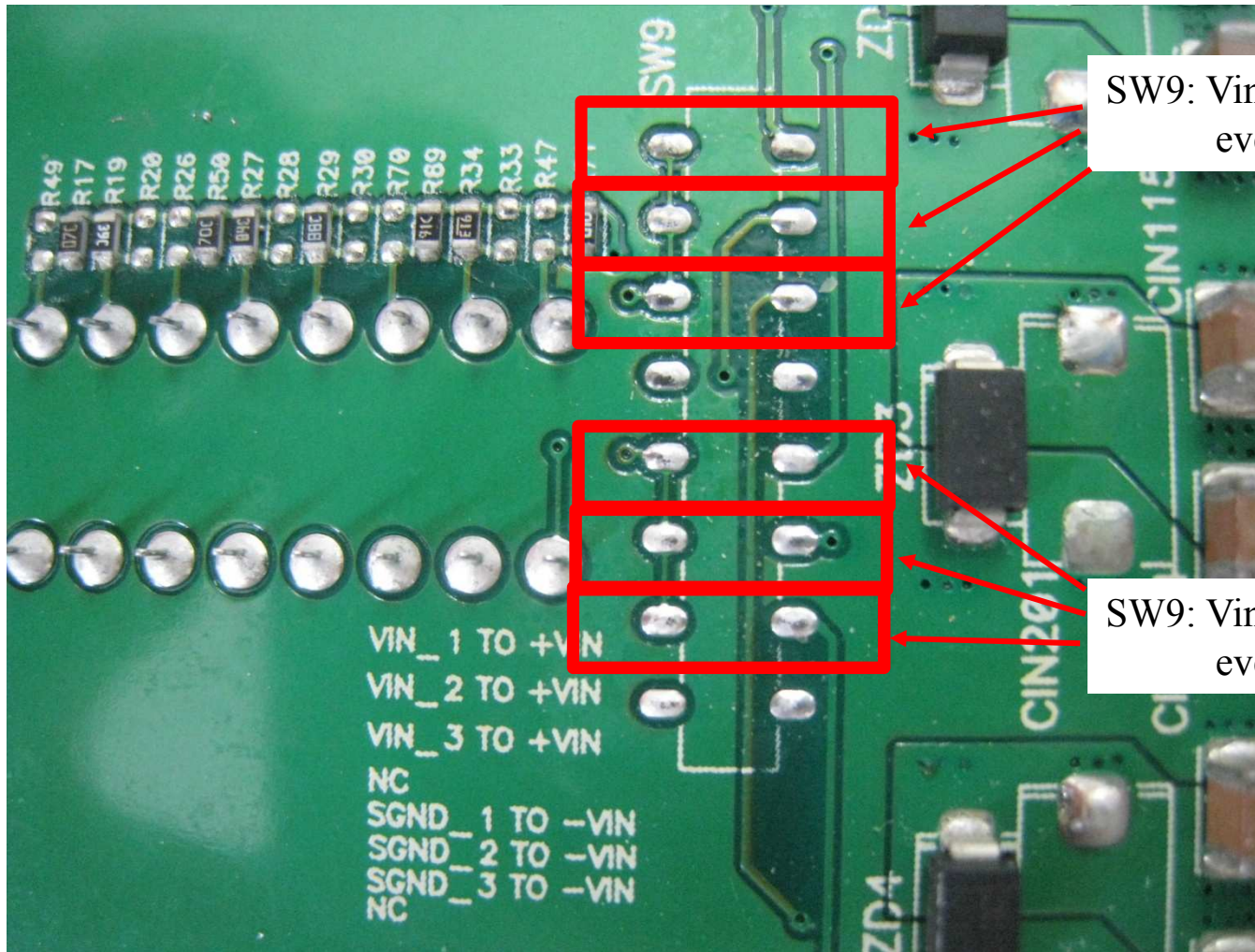
SW5: SYNC PIN to GND

SW5: SHARE PIN to every Model





Bottom View



SW9: Vin+ test PIN to every Model

SW9: Vin- test PIN to every Model