

# LNP-800AGH-24

## Industrial Unmanaged Gigabit PoE Switch

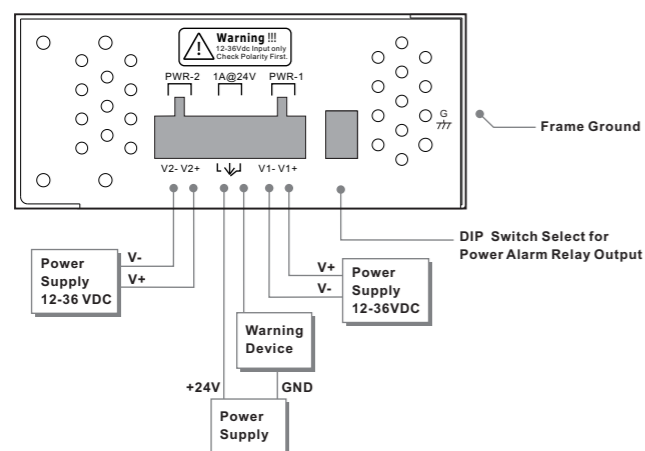
### Introduction

The **LNP-800AGH-24** is an unmanaged Gigabit PoE Ethernet switch with P.S.E. Function. The **LNP-800AGH-24** supports Power over Ethernet, a system to transmit electrical power, along with data, to remote devices over standard twisted-pair cable in an Ethernet network. The **LNP-800AGH-24** supports wide range 12~36VDC power inputs and generates 50VDC P.S.E. power output per port. The **LNP-800AGH-24** PoE switch has 8 x 10/100/1000Base-T(X) P.S.E. (Power Sourcing Equipment) ports. P.S.E. is a device (switch or hub for instance) that will provide power in a PoE setup. The wide operating temperature range from -40°C to 70°C (**LNP-800AGH-24-T**) can satisfy most operating environments. Therefore, the switch is one of the most reliable choices for PoE Ethernet application.

### Features

- Provide 8x10/100/1000Base-T(X) PoE (P.S.E.) ports
- Support P.S.E. compliant with on IEEE 802.3at standard up to 30 Watts per port
- Support dual wide range 12~36VDC power inputs for power redundancy
- Support auto-negotiation and auto-MDI/MDI-X
- Support store and forward transmission
- Support flow control
- Rigid IP-30 housing design
- DIN-Rail and wall mounting enabled

### Power Connection Guide



#### DIP Switch Function

DIP-1	DIP-2	Description
OFF	OFF	Power failure relay alarm disabled
ON	OFF	PWR-1 failure, relay alarm enabled
OFF	ON	PWR-2 failure, relay alarm enabled
ON	ON	PWR-1 or PWR-2 failure, relay alarm enabled

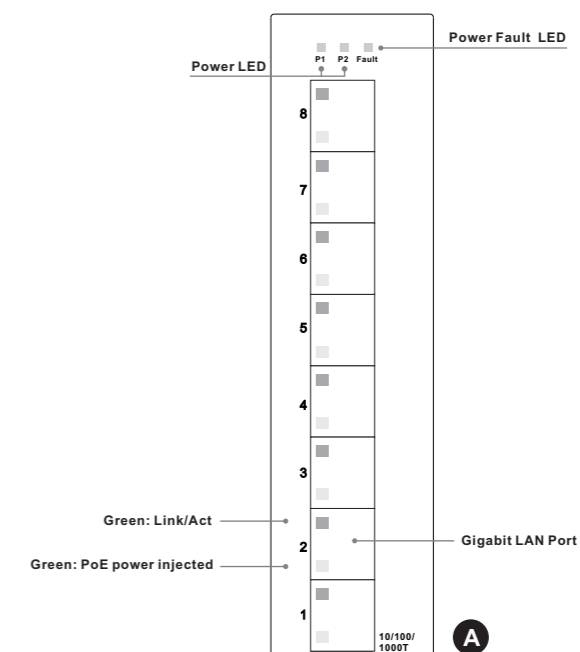
### Specifications

Model	LNP-800AGH-24 / LNP-800AGH-24-T
<b>Physical Ports</b>	
10/100/1000Base-T(X) P.S.E. Port in RJ45 Auto MDI/MDIX	8
<b>Technology</b>	
Ethernet Standards	IEEE 802.3 for 10Base-T IEEE 802.3u for 100Base-TX IEEE 802.3ab for 1000Base-T IEEE 802.3x for Flow control IEEE 802.3at PoE specification
MAC Table	4096 MAC addresses
Processing	Store-and-Forward
<b>LED Indicators</b>	
Power indicator	Green: Power LED x2
Fault indicator	Amber: Indicate PWR1 or PWR2 failure
10/100/1000Base-T(X) RJ45 port indicator	Green for port Link/Act. Green for PoE power injected.
<b>DIP-Switch</b>	
DIP-Switch 1	Power-1 failed warning : (ON) enable, (OFF) disable
DIP-Switch 2	Power-2 failed warning : (ON) enable, (OFF) disable
<b>Fault contact</b>	
Relay	Relay output to carry capacity of 1A at 24 VDC
<b>Power</b>	
Redundant Input power	Dual DC inputs 12-36VDC on 6-pin terminal block @12VDC for 90W PoE Power Budget, @24-36VDC for 200W PoE Power Budget
Power consumption(Typ.)	7.8 Watts
Overload current protection	Present
Reverse polarity protection	Not Present
<b>Physical Characteristic</b>	
Enclosure	IP30
Dimension (W x D x H)	41(W)x94.9(D)x144.3(H) mm (1.62x3.74x5.68inch.)
Weight (g)	452 g
<b>Environmental</b>	
Storage Temperature	-40 to 85°C (-40 to 185°F)
Operating Temperature	-10 to 60°C (14 to 140°F) Standard Model -40 to 75°C (-40 to 167°F) Extended Operating Temperature Model
Operating Humidity	5% to 95% Non-condensing
<b>Regulatory Approvals</b>	
EMI	FCC Part 15, CISPR (EN55022) class A
EMS	EN61000-4-2 (ESD), EN61000-4-3 (RS), EN61000-4-4 (EFT), EN61000-4-5 (Surge), EN61000-4-6 (CS), EN61000-4-8, EN61000-4-11
Shock	IEC60068-2-27
Free Fall	IEC60068-2-32
Vibration	IEC60068-2-6
Safety	EN60950-1, UL Class 1 Division 2
<b>Warranty</b>	5 years

### Practical Operation

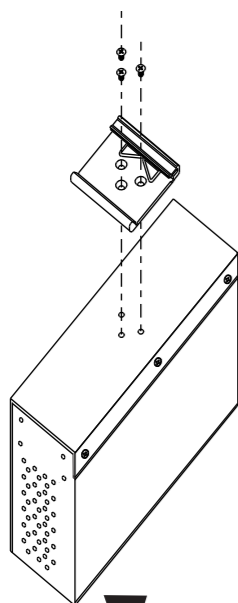
The LNP-800AGH-24 can be used in connecting several PoE P.D. Ethernet devices like IP-Camera or other Ethernet devices. In addition, there are two different power inputs at terminal block to avoid interruption caused by power down. When the primary DC power input fails, the backup power input will take over immediately to guarantee a non-stop operation.

### Front Panel

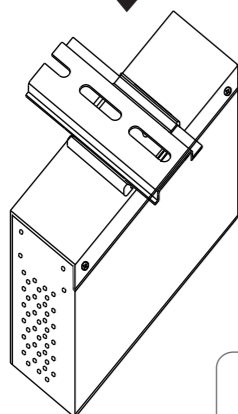
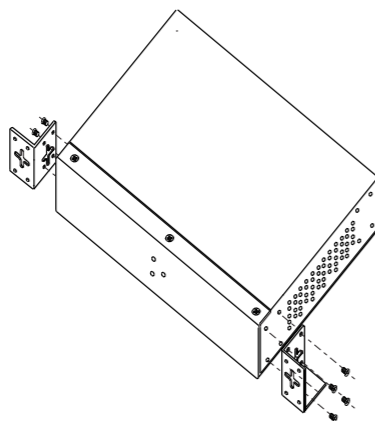


**Installation**

**DIN-Rail Install Step**



**Wall-mounted Install Step**



**antaira™** Antaira Technologies, LLC

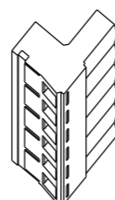
Copyright © 2013 Antaira  
All rights reserved.

FC CE

Website: [www.antaira.com](http://www.antaira.com) | eMail: [info@antaira.com](mailto:info@antaira.com)

**Accessory**

**① 6-Pin Terminal block**



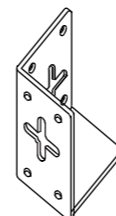
**② Dust Cover (RJ-45)**



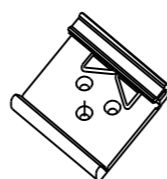
**③ Round Screw (M3 X3)**



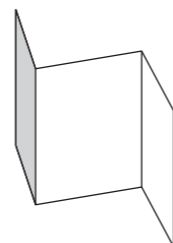
**④ Wall-mounted kit**



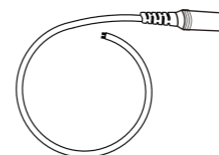
**⑤ 40mm DIN-Rail kit**



**⑥ QIG**



**⑦ Cable**



**Packing list**

Model name	Front Panel	Model Description	Accessory
LNP-800AGH-24(-T)	<b>A</b>	Industrial 8-port unmanaged Gigabit PoE Ethernet switch with 8x10/100/1000Base-T(X) P.S.E., 24VDC power inputs	⊗X 1, ⊗X 8, ⊗X 8, ⊗X 2, ⊗X 1, ⊗X 1, ⊗X 1

**Communication Connections**

**1000Base-T Ethernet Connection**

**RJ45 (8-pin, MDI) Port Pinouts**

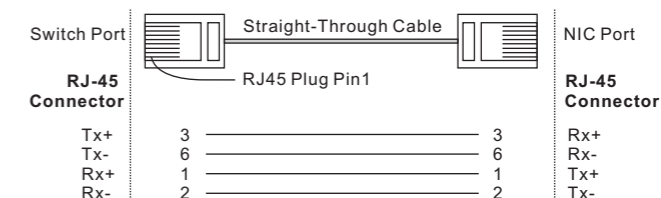
Pin	MDI
1	BI_DA+
2	BI_DA-
3	BI_DB+
4	BI_DC+
5	BI_DC-
6	BI_DB-
7	BI_DD+
8	BI_DD-

**RJ45 (8-pin, MDI-X) Port Pinouts**

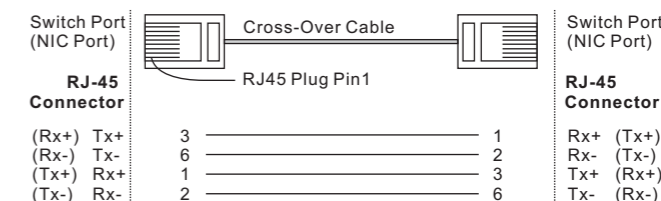
Pin	MDI-X
1	BI_DB+
2	BI_DB-
3	BI_DA+
4	BI_DD+
5	BI_DD-
6	BI_DA-
7	BI_DC+
8	BI_DC-

**10/100Base-T(X) Ethernet Connection**

**RJ45 (8-pin) to RJ45 (8-Pin) Straight-Through Cable Wiring**



**RJ45 (8-pin) to RJ45 (8-Pin) Cross-Over Cable Wiring**



**PoE Pin Definition**

**10/100Base-T(X) P.S.E. RJ-45 port**

RJ45 Pin Definition	
Pin No.	Description
# 1	TD+ with PoE Power input +
# 2	TD- with PoE Power input -
# 3	RD+ with PoE Power input +
# 6	RD- with PoE Power input -

**1000Base-T P.S.E. RJ-45 port**

RJ45 Pin Definition	
Pin No.	Description
# 1	BI_DA+ with PoE Power input +
# 2	BI_DA- with PoE Power input +
# 3	BI_DB+ with PoE Power input -
# 4	BI_DC+
# 5	BI_DC-
# 6	BI_DB- with PoE Power input -
# 7	BI_DD+
# 8	BI_DD-