

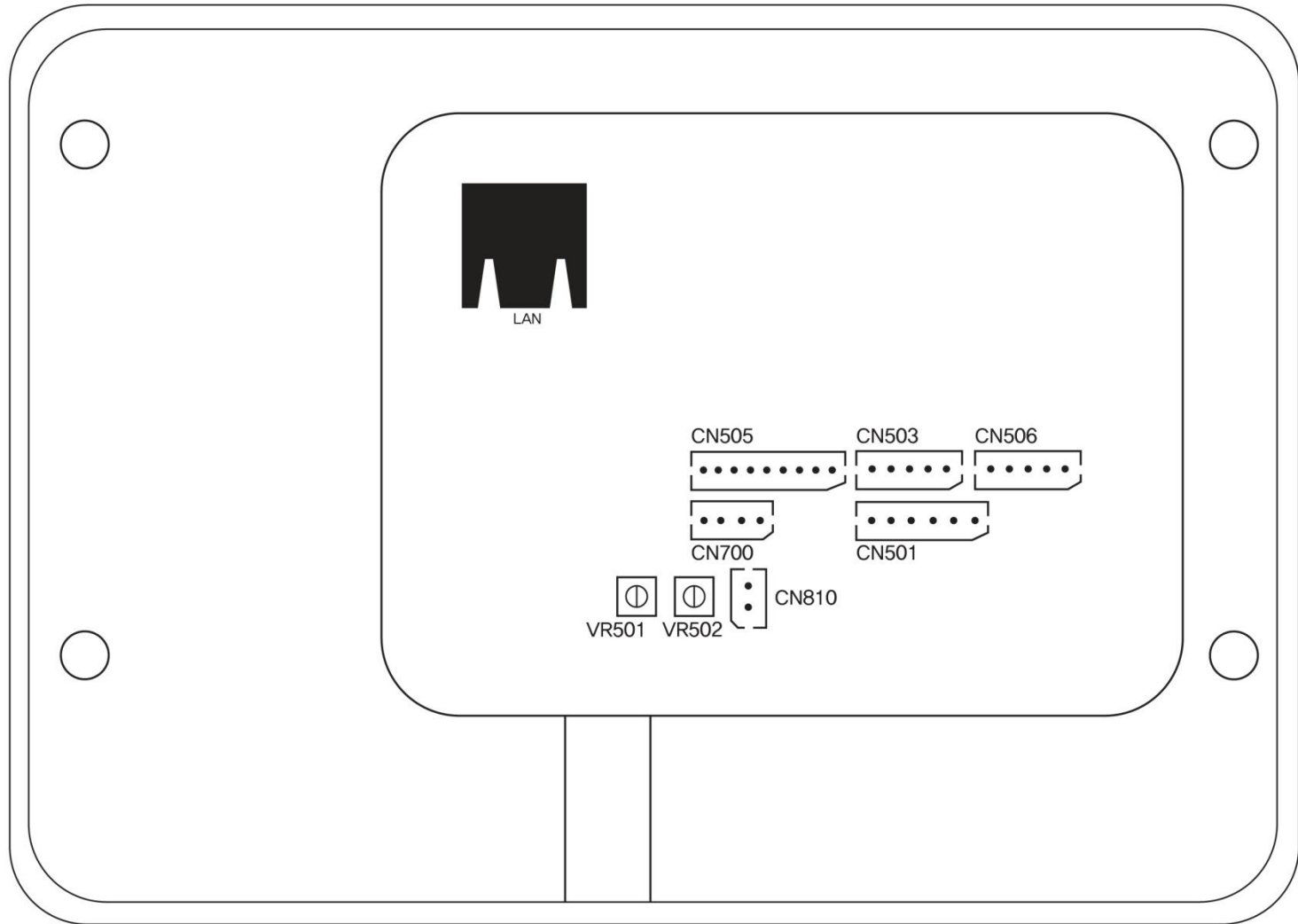


Finger pass /
KJ-3300
Installation Manual

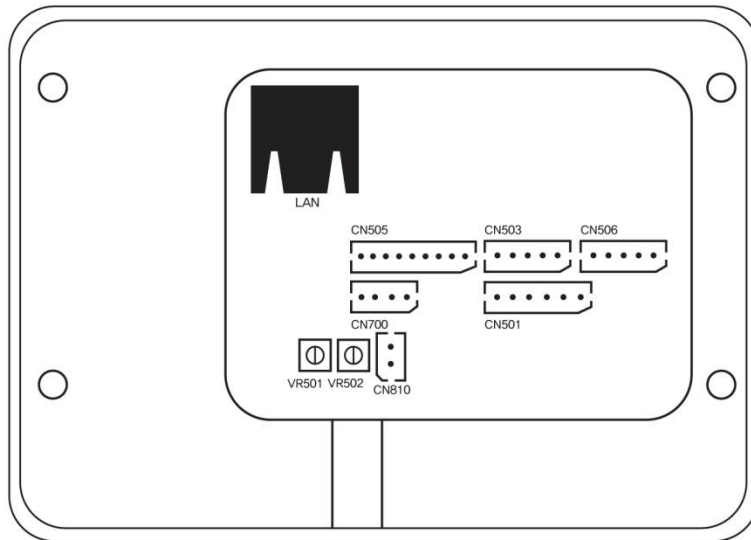


KJTECH Co, Ltd. (3F, Hogye-Dong) 88-6, Anyangcheondong-ro, Dongan-Gu, Anyang-Si, Gyeonggi Do 431-836, Korea
Tel: +82-31-446-5388, +82-31-447-5388 Fax: +82-31-448-5388 Email: sales@ekjtech.co.kr / www.ekjtech.co.kr

Back of KJ-3300



KJ-3300 CONNECTIONS



CN501) Relay 1, 2

- Connects with door lock and alarm devices

CN503) Card Reader

- Connects with external card reader

CN505) Sensor Input

- Connects with various sensors (door contact, alarm sensor etc) and exit button

CN506) Wiegand output

- Outputs CARD data
(Used when it is integrated with other main controller)

CN700) Power Input / RS 485

- Supply 12V power to KJ-3300 through power supply
- Communicate RS-485 with PC

CN810) TEL-LINE

- Connects with Extension Phone

LAN_RJ45) TCP/IP Connector

- Communicate TCP/IP with PC

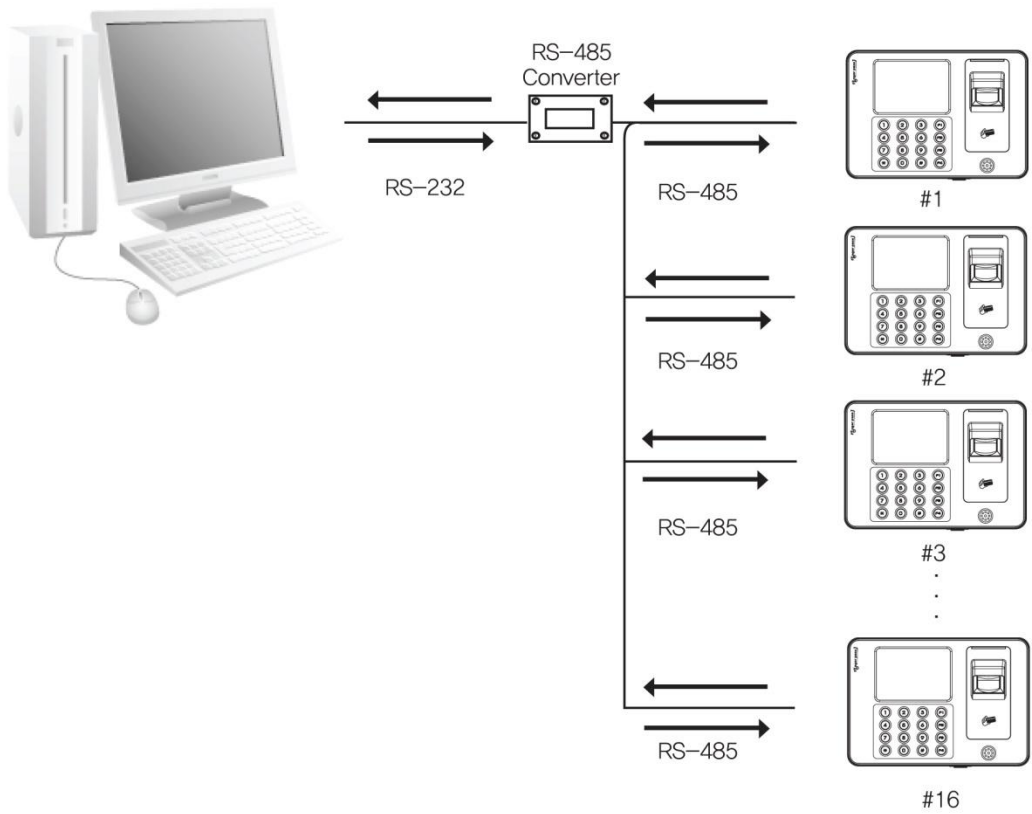
VR501) Speaker Volume Switch

- Controls speaker volume

VR502) Mic Volume Switch

- Controls Mic volume

DIAGRAM (RS-485)



It is possible to connect numerous KJ-3300 with computer.

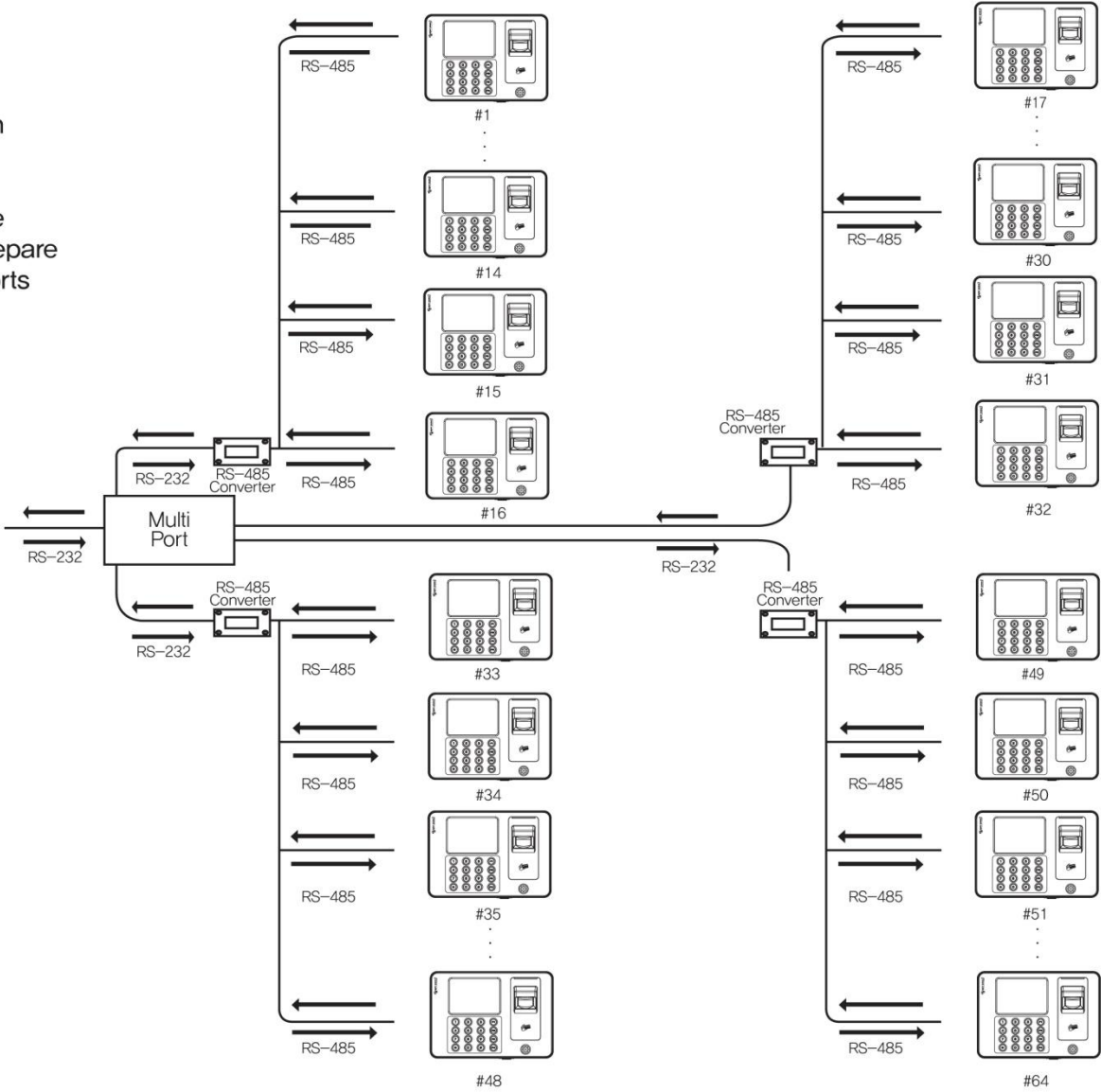
Maximum number of connection with one serial port is 16 KJ-3300.

Must give unique address to each KJ-3300 (Refer to user manual for the setup)
If not, arouses communication collision and cannot communicate.

NETWORK DIAGRAM (RS-485)

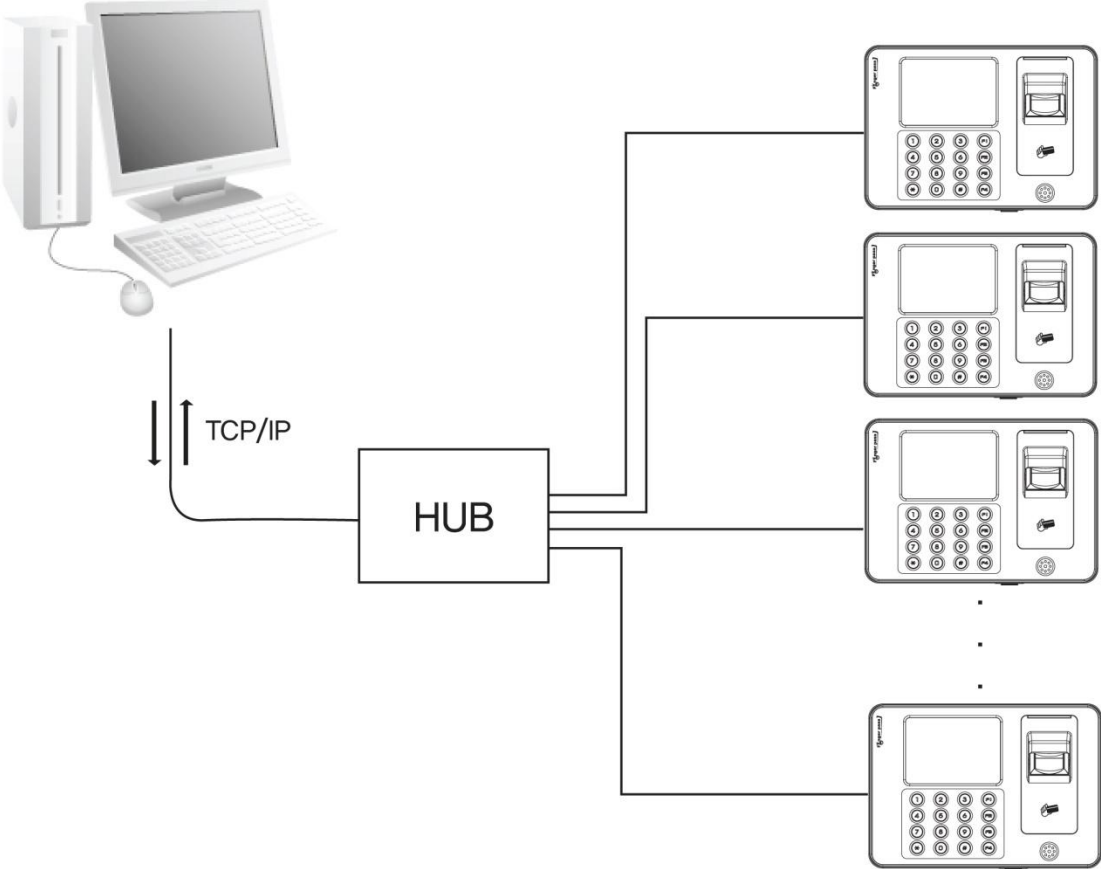
Maximum number of connection with one serial port is 16units.

If main computer controls above 6units of KJ-3300, needs to prepare additional port, Guardian supports up to 4 RS-485 converters.



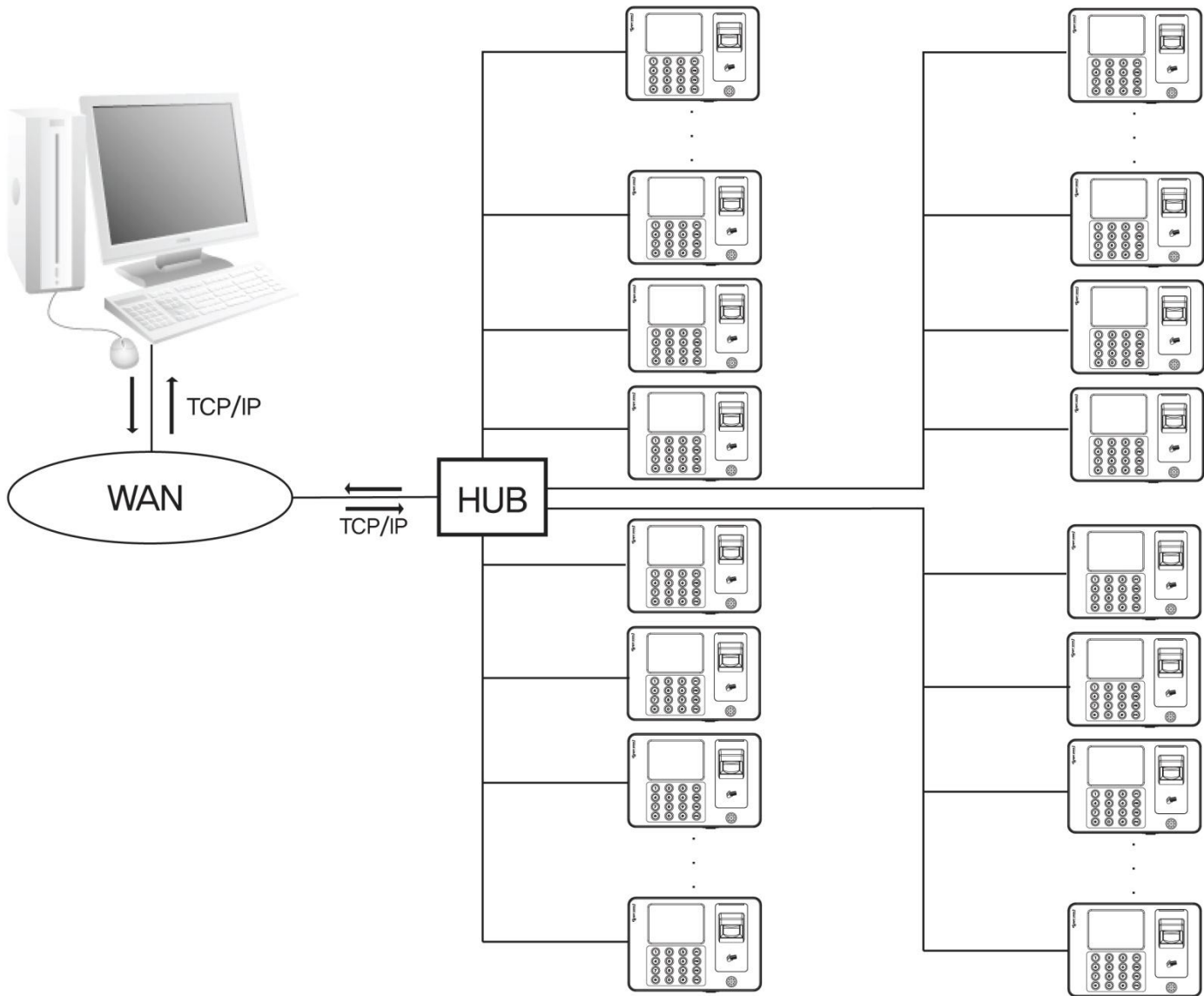
KJ-3300(Units)	Port (No)
16	1
32	2
48	3
64	4

DIAGRAM (LAN)



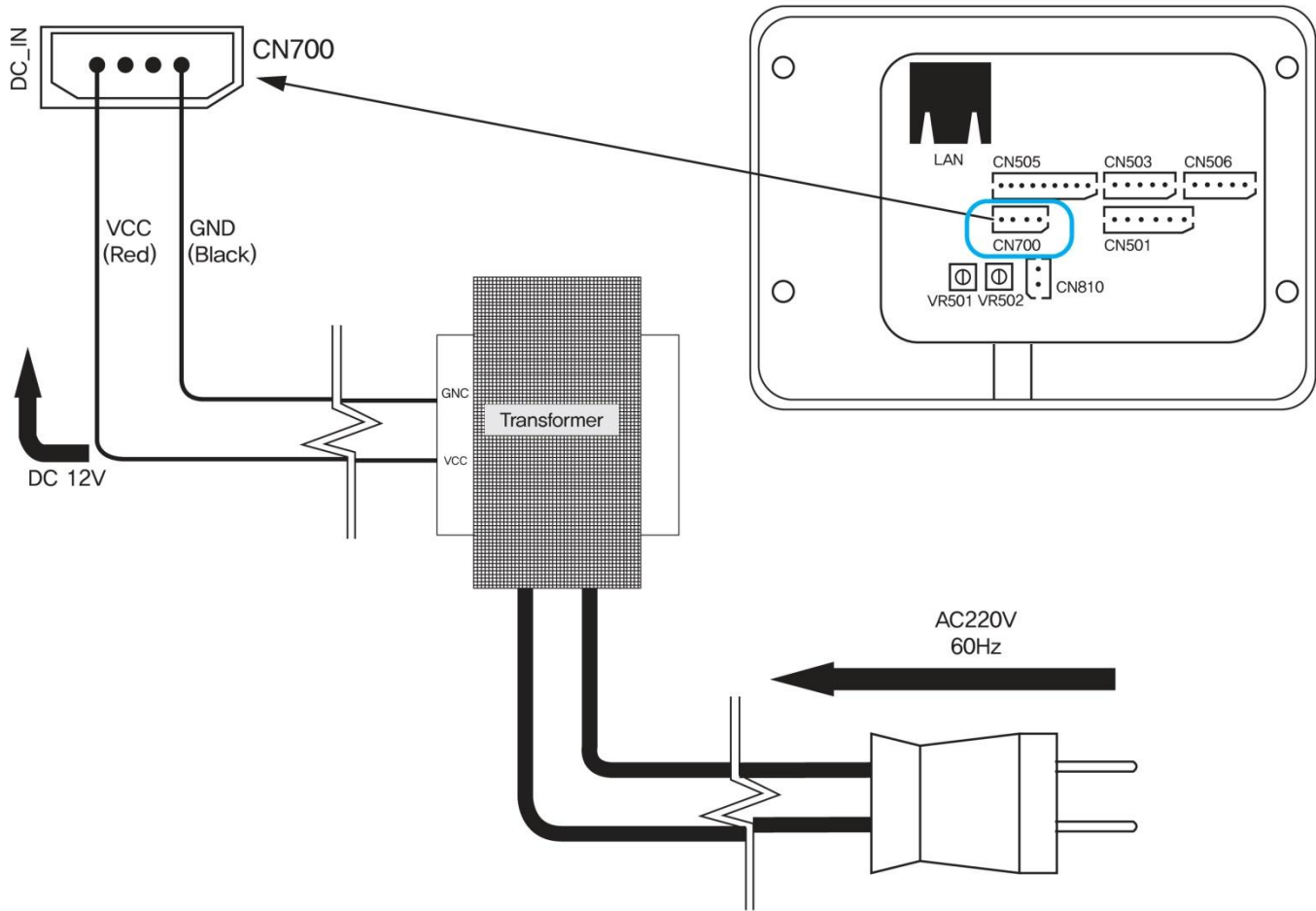
Shows LAN composition connecting numerous KJ-3300
Must give unique IP address to each KJ-3300 (Refer to user manual for the setup)

DIAGRAM (WAN)



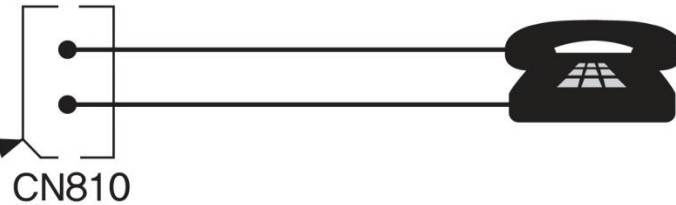
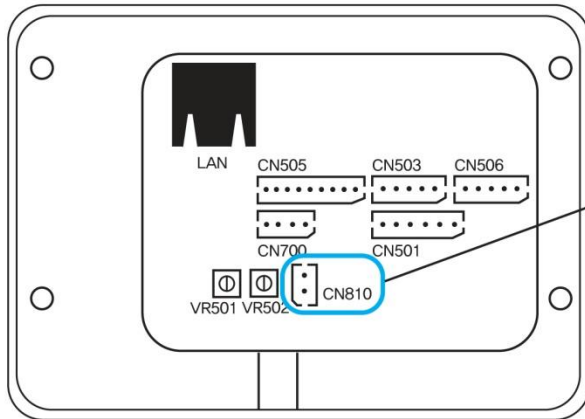
Shows the connection with 64units of KJ-3300.
(Needs 64 IP address)

CABLE CONNECTION (POWER)



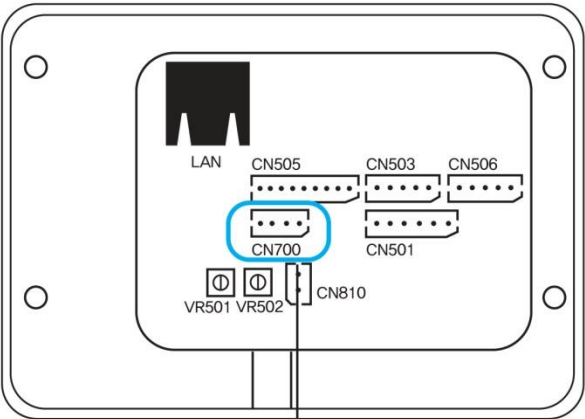
CN700(DC-In) connects with DC12V and GND.
Doesn't matter the direction of the GND and VCC.

CABLE CONNECTION (EXTENSION PHONE)

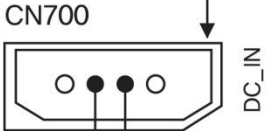


CN810(TEL-LINE) connects with extension phone and doesn't matter the direction.
To communicate with extension phone, press # button and extension phone number
Controls speaker volume using VR501 and Mic volume using VR502

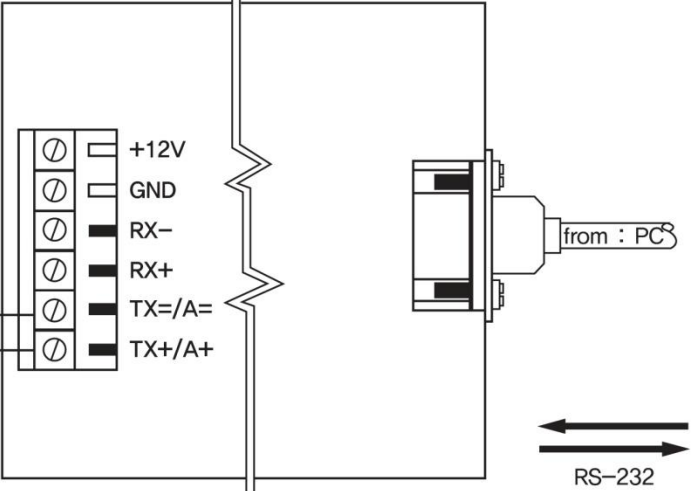
CABLE CONNECTION (RS-485)



Shows the connection CN700(DC-IN) and RS-232/485 Converter

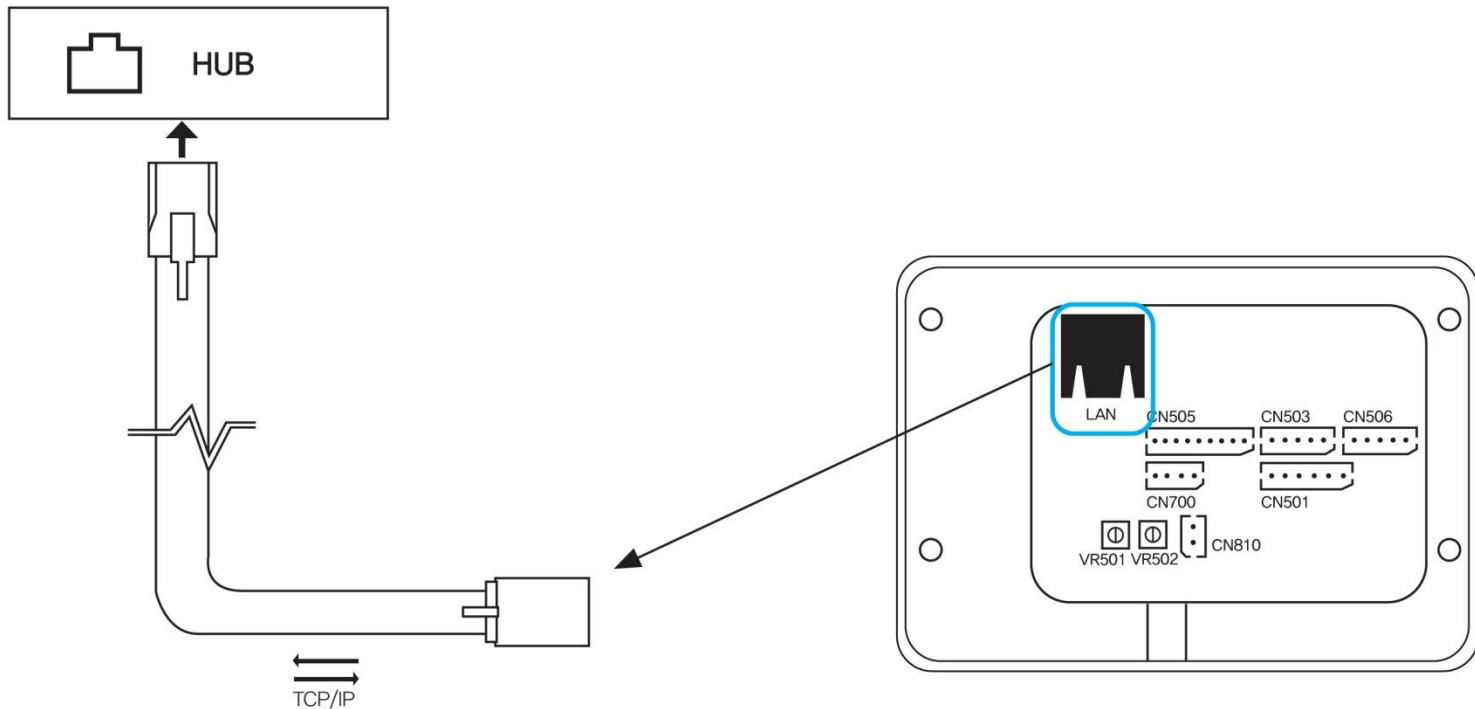


MAX : 1200m (4000ft)



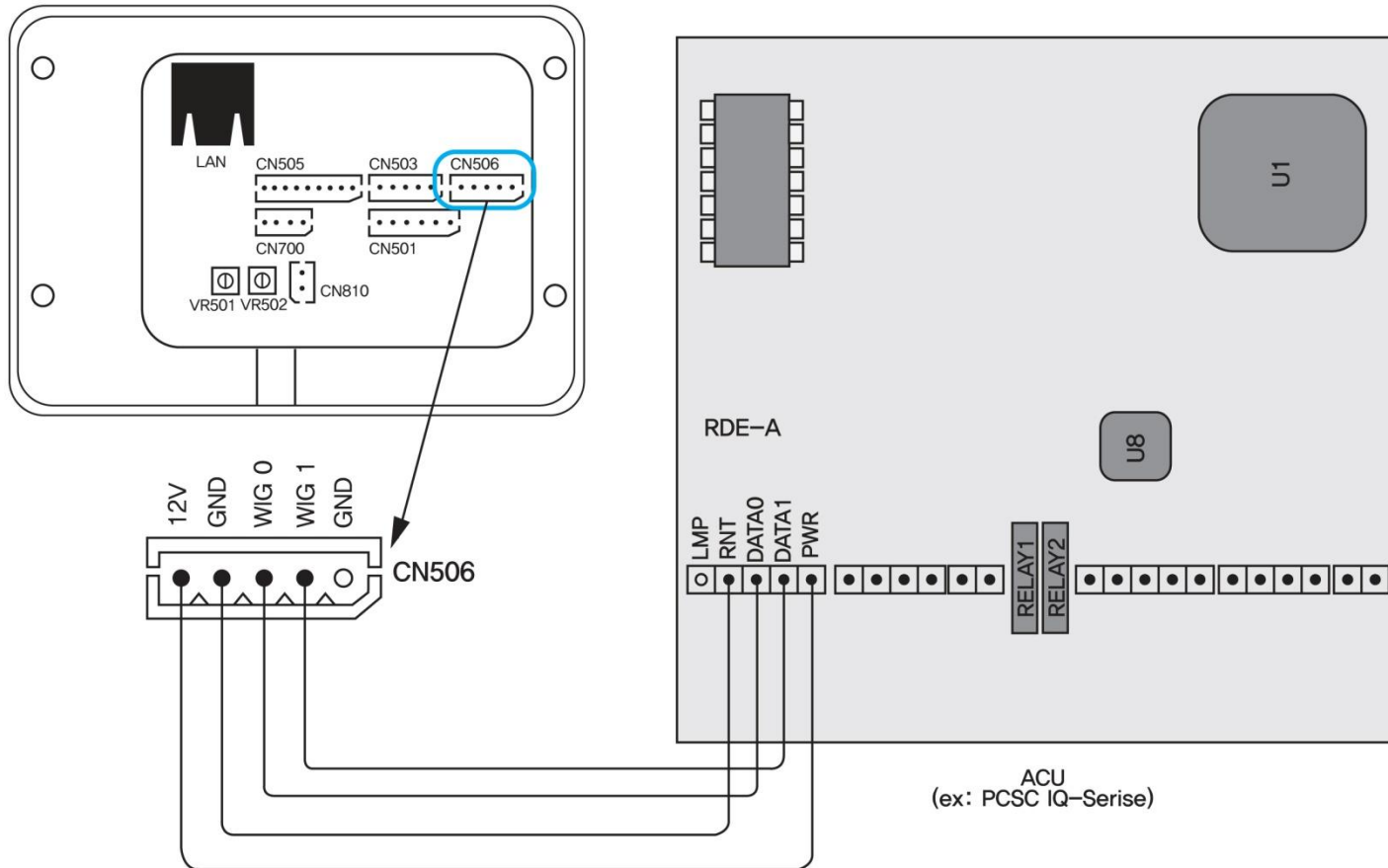
ex) RS232-485 CONVERTER

CABLE CONNECTION (TCP/IP)



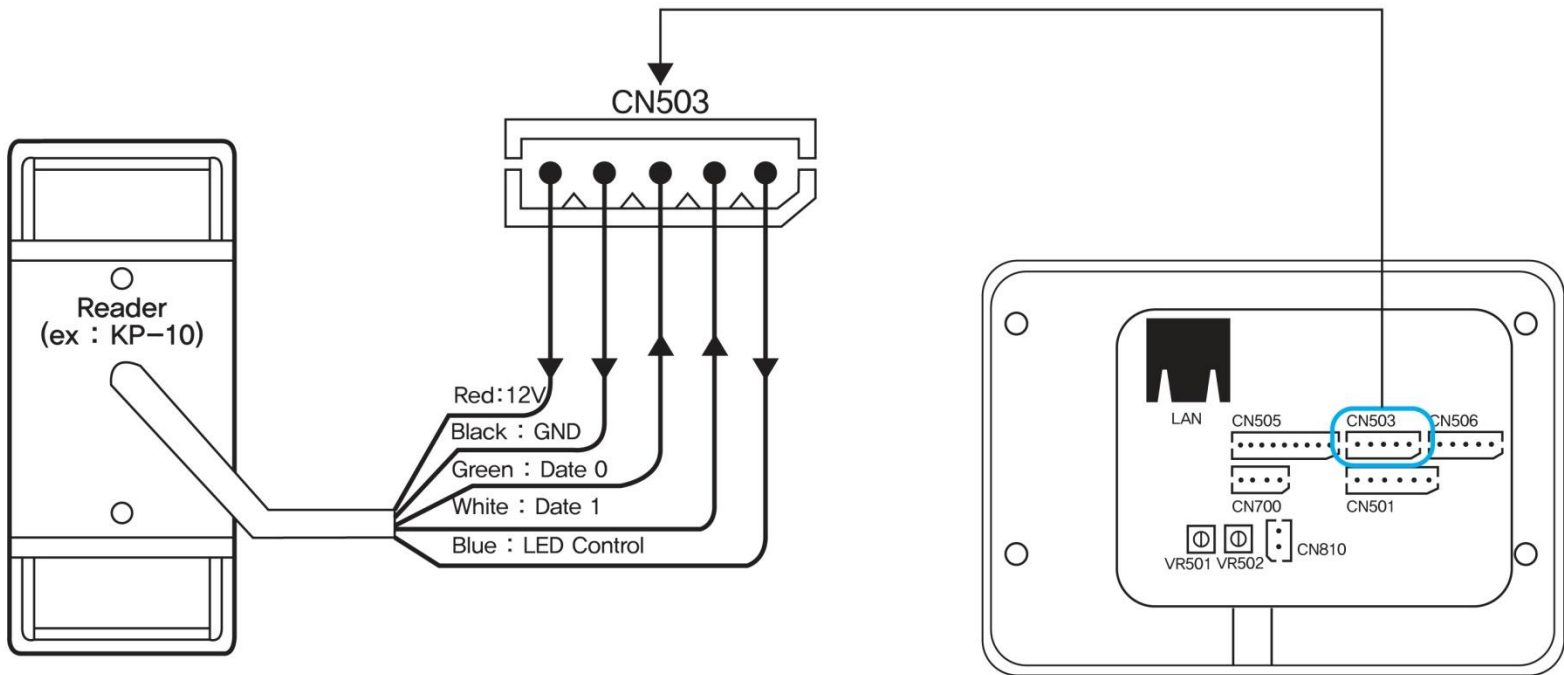
Shows TCP/IP connects with KJ-3300 using the HUB.
No distance limits using TCP/IP and configure access control system with LAN or WAN
(Refer to user manual or guardian software manual for the IP setup)

CABLE CONNECTION (WIEGAND OUT)



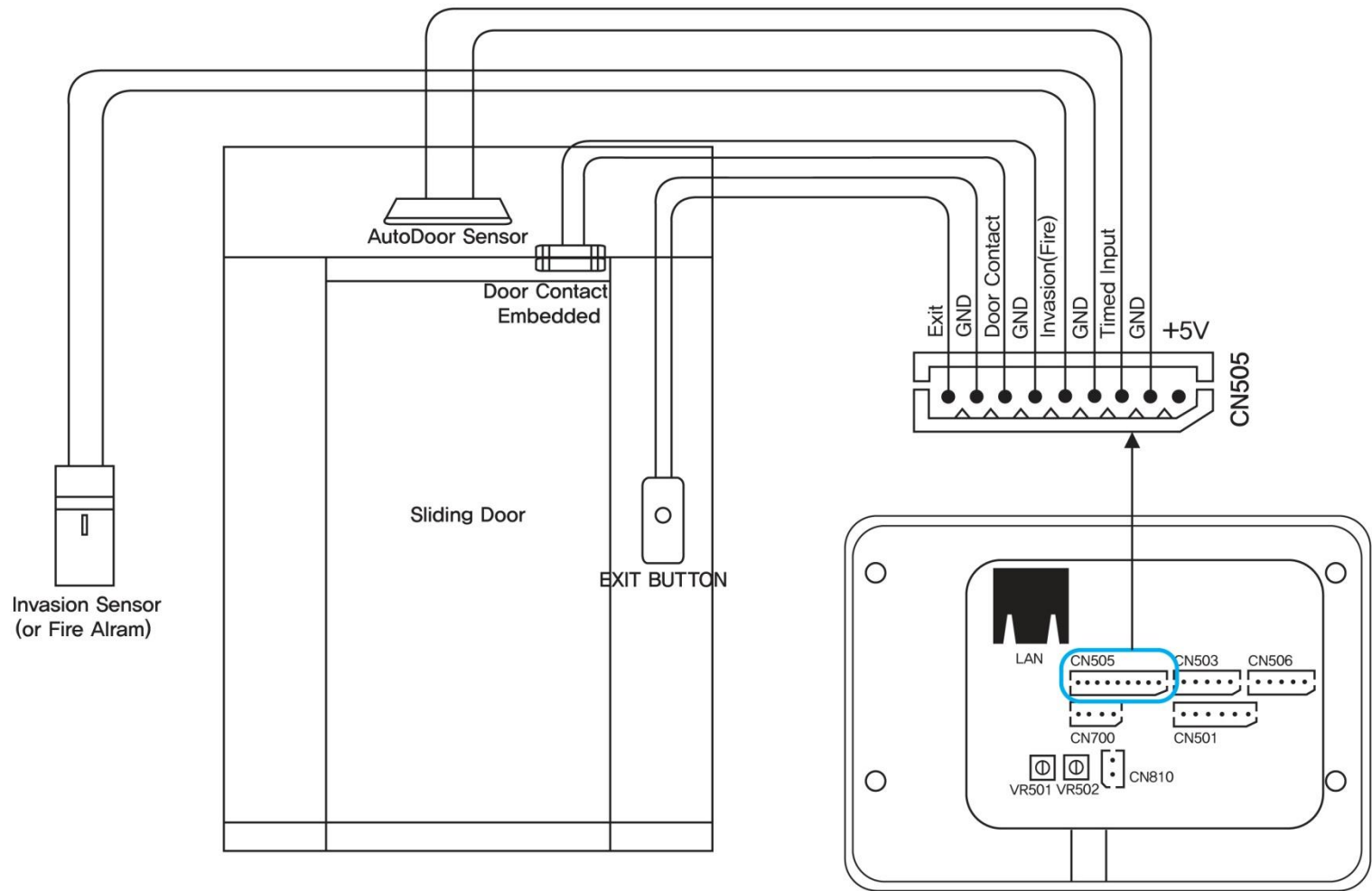
If connected to other main controller, it works as a card reader or fingerprint reader only not controller.
CN506(Wiegand out) connects with card reader port of main controller and transmit the data via Wiegand

CABLE CONNECTION (RF CARD READER)



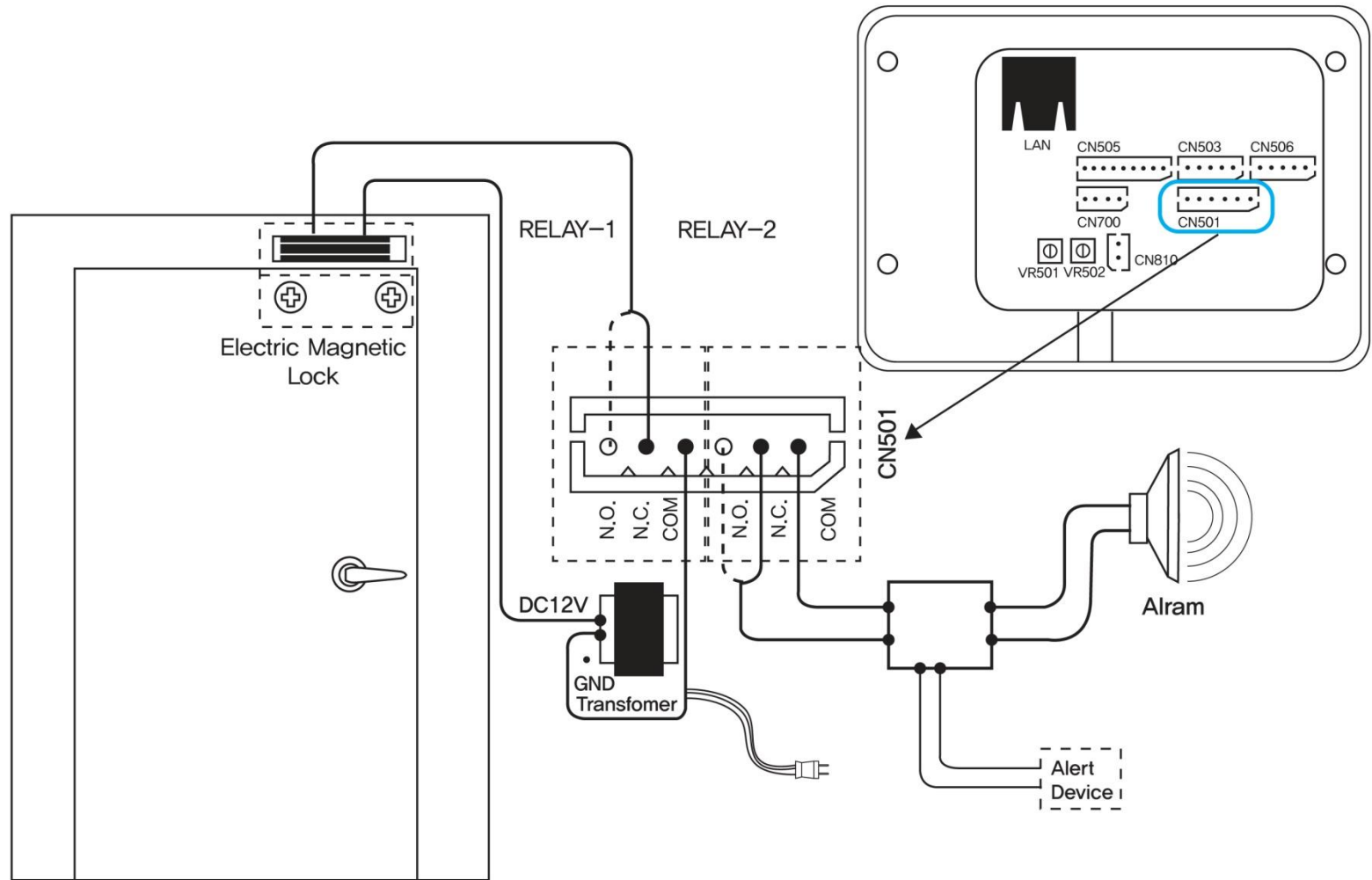
Connects the cable of the RF card reader to CN503.
Connection would be variable for each reader. (Follow the manual of each RF card reader)

CABLE CONNECTION (SENSOR)



Shows KJ-3300 connected with sliding door and relevant controls ; door contact, door sensor, exit button, infrared sensor.

CABLE CONNECTION (RELAY)



Shows physical access controls of KJ-3300 by connecting many devices which detect certain situation through the sensors explained in the above. Electric strike or alarm devices to be operated with KJ-3300 using the connection of CN501.